

E-VENT

MADE IN ITALY



Resa raffred. Totale 3R⁽¹⁾
Cooling yield Total 3R⁽¹⁾ **2355 W**

Resa raffred. Sens. 3R
Cooling performance Sens. 3R **1835 W**

Portata acqua
Water flow **510 l/h**

Resa riscaldamento 3R⁽²⁾
Heating output 3R⁽²⁾ **3720 W**

Portata acqua
Water flow **325 l/h**

Portata aria
Air flow **405 m³/h**

Potenza sonora
Sound power **39 dB(A)**

Le potenze sono riferite alle temperature sotto indicate:

- 1) temperatura ambiente 27°C.b.s/19°C.b.u - temperatura ingresso acqua 7°C
- 2) temperatura ambiente 20°C / temperatura ingresso acqua 60°C

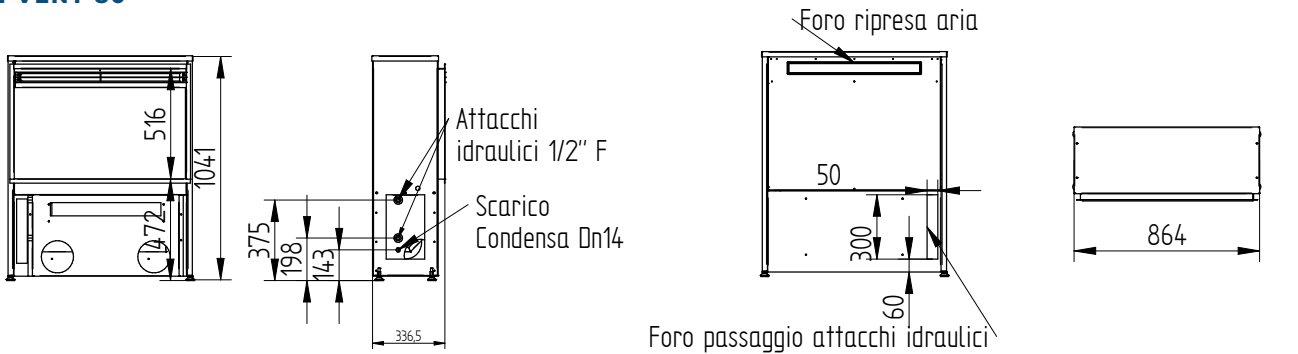
The powers refer to the following temperatures:

- Ambient temperature 27°C.d.b / 19°C.w.b - Water inlet temperature 7°C
Ambient temperature 20°C / Water inlet temperature 60°C

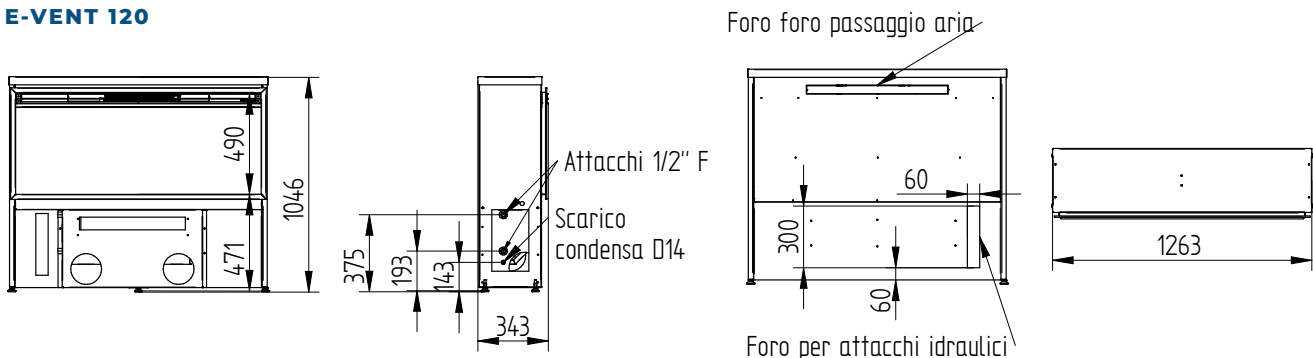
TECHNOLOGY



E-VENT 80



E-VENT 120



E-VENT 160

