

**MORETTI DESIGN**

WOOD



**USER MANUAL**

WOOD STOVES

## INDICE

1 - General information	3
2 - Warnings	4
3 - Safety distances	4
4 - Installation	5
4.1 - Chimney installation	5
4.2 - Connecting the stove to the chimney	8
5 - Permitted fuels	9
6 - Instructions for a safe use of the stove	9
7 - Using the stove	9
7.1 - Combustion	9
7.2 - First ignition	10
7.3 - Subsequent ignitions	10
7.4 - Cleaning the glass	10
7.5 - Removal of the ashes	10
8 - Cleaning and maintenance	11
9 - Hestings fans	11
10 - Disposal	11
10.1 - Packaging	11
10.2 - Disposal of the stove	11
11 - Warranty conditions	12
12 - Technical features	12
13 - Data sheets and measurements	12
13.1 - ALADINO WOOD ALL STYLE	13
13.2 - CLESSIDRA WOOD ALL STYLE	13
13.4 - CLESSIDRA WOOD STONE	13
13.5 - ELEGANCE WOOD ALL STYLE	14
13.8 - ERGONOMIC WOOD GLASS	14
14 - Asthetic component assembly - ALADINO WOOD ALL STYLE	15
15 - Asthetic component assembly - CLESSIDRA WOOD ALL STYLE	17
16 - Asthetic component assembly - CLESSIDRA WOOD STONE	20
17 - Asthetic component assembly - ELEGANCE WOOD ALL STYLE	24
18 - Asthetic component assembly - ERGONOMIC WOOD GLASS	25

## 1 - GENERAL INFORMATION

The WOOD series stoves by MORETTI DESIGN have been conceived and created to be a source of heating inside residential environments.

The extreme care of design and the extraordinary craftsmanship quality, combined with the spectacular uniqueness of the flame developed by the wood, make MORETTI DESIGN stoves an elegant furnishing accessory capable of enhancing any environment with its aesthetics.

The stoves have been designed for burning wood for heating indoor environments. The air is heated by natural convection and by radiation. In this way the stove is able to quickly heat up even very cold rooms.

The natural convection heating principle ensures that the room air enters the lower part of the stove and is heated in the convection space consisting of a double shell coating; the air flow is then returned to the environment through the holes located in the upper part of the stove.

The heat generated by radiation is instead that released into the environment directly from the surfaces of the stove. The largest source of heat by radiation is the glass surface.

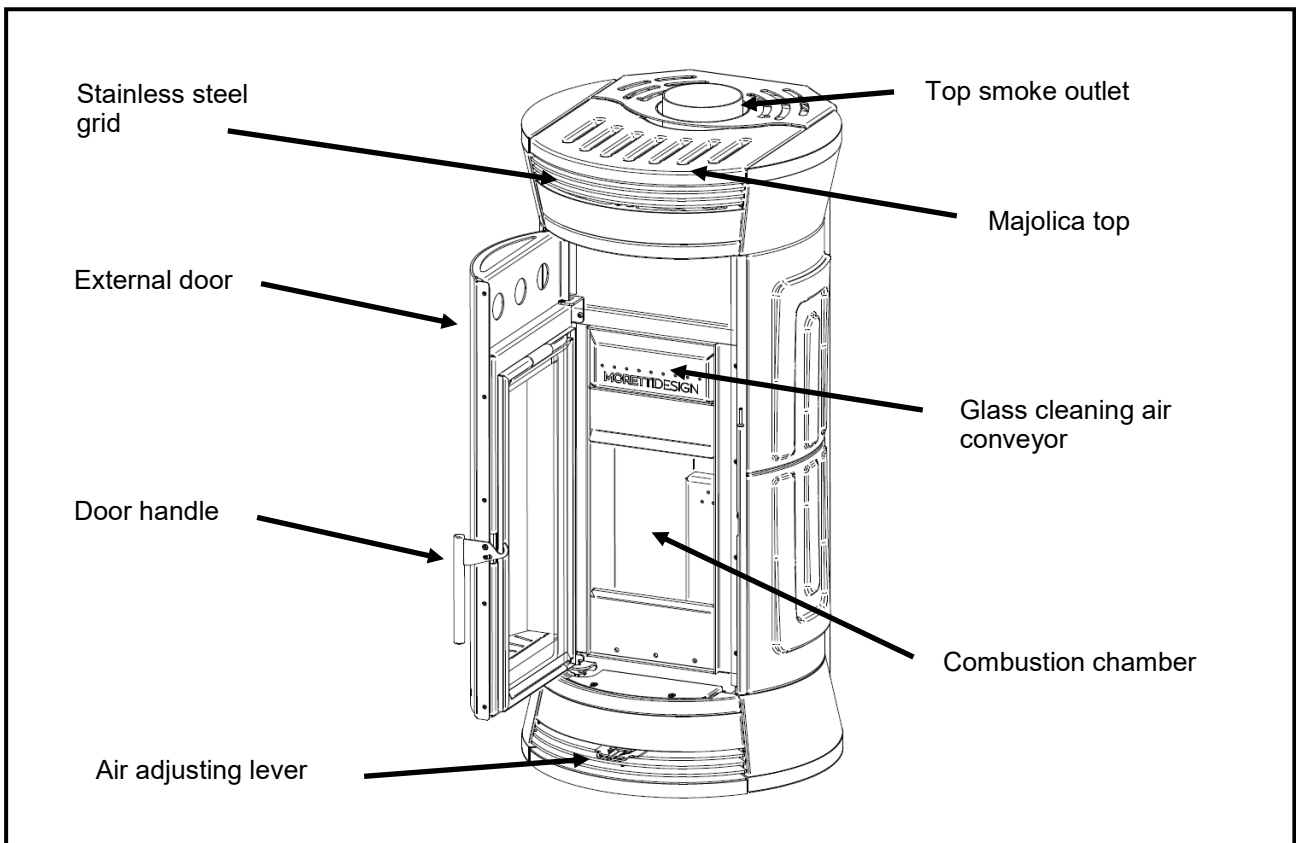
The stoves are made with a steel structure, while the interior of the combustion chamber is made of vermiculite and refractory bricks. The external surfaces are instead in steel, majolica and glass.

The door is made with a double glass: the internal one is a ceramic glass resistant to high temperatures and thermal shocks; the outer one is a "magic" glass that lights up with the appearance of the flame, remaining black instead when the flame is extinguished.

At the bottom of the combustion chamber there is a cast iron grid, below which there is a compartment for ash collecting.

To allow an optimal entry of combustion air into the combustion chamber, there are primary and secondary air inlets: primary air is necessary for ignition and its passage takes place through the cast iron grid; the secondary air flows on the glass and above the grid and creates a self-cleaning effect for the glass; the secondary air also passes through the upper part of the stove and burns the unburnt gases.

The appliance is supplied with the majolica aesthetic parts not assembled, but contained in a special package in order to better preserve them for transport. To assemble the majolica tiles, follow the instructions given in the dedicated section of this manual.



## 2 - WARNINGS

This manual provides useful information for the installation, function and maintenance of the stove, so as to allow a correct and safe use. We therefore invite you to read the manual with extreme accuracy, paying particular attention to the following warnings.

The manual is an integral part of the stove, it is recommended to keep it with care and to always near the appliance for a quick consultation, when necessary. In case of loss or damage, request a copy from your dealer.

MORETTI DESIGN wood stoves are made according to the indications contained in the European product standard (EN 13240: 2007), using absolute quality components.

The installation and maintenance of the stove must be carried out by qualified personnel according to the law (DM 22 January 2008, n. 37). All local regulations, including those referring to national and European standards, must be respected in the installation and use of the appliance.

The information contained in this manual must be observed attentively in order to ensure a safe use of the stove. The manufacturing company is not responsible for damage caused to people, animals or things deriving from an incorrect use of the appliance or from failure by the customer or the installer to comply with the indications, obligations and prohibitions established by applicable laws.

The installer will assume full responsibility for the definitive installation and consequent proper functioning of the stove.

It is forbidden to make any type of modification to the appliance without the manufacturer's prior authorization. Use only original spare parts recommended by the manufacturer.

The stove must not be used as an incinerator or in any other way other than that for which it was designed. No other fuel than those expressly recommended in this manual must be used. Do not use liquid fuels.

The use of the stove by children or people with reduced physical, sensory and mental abilities is prohibited, unless they are supervised and instructed in the use of the appliance by a person responsible for their safety. Children should be checked to make sure they don't play with the appliance.

Each stove bears an identification label plate, containing the technical data and the serial number, such as the one shown below.

ALADINO WOOD ALL STYLE			
DOMESTIC HEATING APPLIANCE FED BY WOOD LOGS			
Moretti fire s.r.l. C.da Tesino 50 Ripatransone 63065 (AP) ITALY www.morettidesign.it	MAXIMUM THERMAL POWER INTRODUCED	13,0	kW
	NOMINAL POWER	11,4	kW
EN 13240:2001	EFFICIENCY AT NOMINAL POWER	87,8	%
	CO (13% O <sub>2</sub> ) AT NOMINAL POWER	596	mg/m <sup>3</sup>
Minimum distances from combustible materials.	SMOKE TEMPERATURE	169,4	°C
	DUST AT NOMINAL POWER (13% O <sub>2</sub> )	10	mg/m <sup>3</sup>
ECO DESIGN - ENERGY LABEL	NO <sub>x</sub> (13% O <sub>2</sub> ) AT NOMINAL POWER	84	mg/m <sup>3</sup>
	OGC (13% O <sub>2</sub> ) AT NOMINAL POWER	12	mg/m <sup>3</sup>
SIDE	550		
FRONT	-		
REAR	530		
ABOVE	-		
UNDER	n.a.		
READ AND FOLLOW THE INSTRUCTIONS FOR USE			
Use only recommended fuels		Recommended fuel: WOOD LOGS	

## 3 - SAFETY DISTANCES

When a stove is installed near class B, C1 and C2 flammable substances, the safety distance from the front (as well as from the glass surfaces) must be 800 mm, the rear safety distance of a minimum of 200 mm and the lateral safety distance of at least 500 mm.

If the stove is installed in a room with class C3 flammable substances, the measures indicated above must be doubled.

The correct safety distances for the installation are shown on the label plate of each product. Table 1 shows some materials with their respective classes

**Table - Information regarding the flammability levels of some materials.**

Degree of flammability	Building materials
A - Not inflammable	Granite, sandstone, Strongly porous concrete, bricks, ceramic tiles, special plasters
B - Almost flammable	Wood-concrete
C1 - Hardly flammable	Plywood,
C2 - Medium lammable	Chipboard, cork, rubber,
C3 - Facilmente infiammabile	Polistirolo, poliuretano, fibre di legno

## 4 - INSTALLATION

The installation of the appliance must be carried out by qualified personnel and in compliance with all European, national and local regulations currently in force. For a correct installation, comply with the instructions provided below:

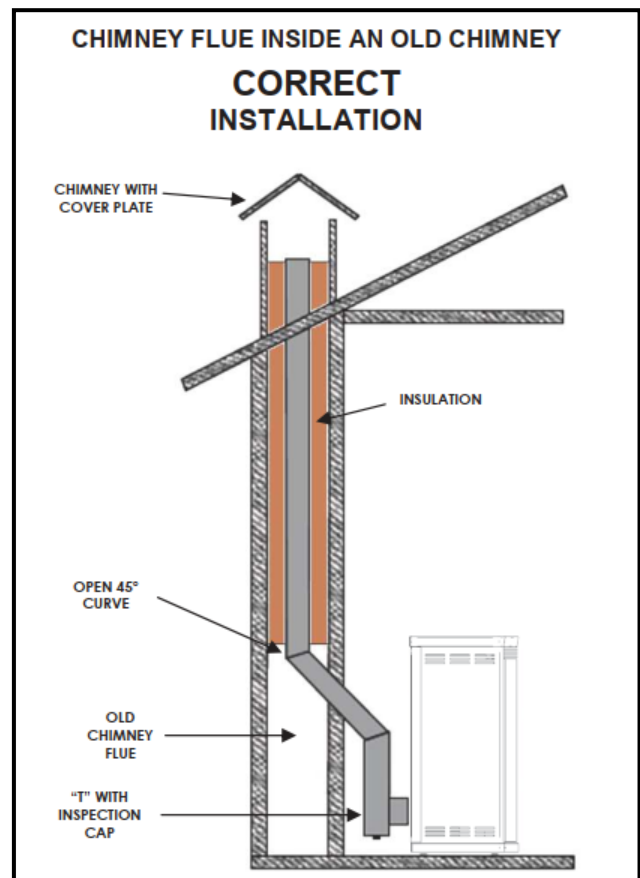
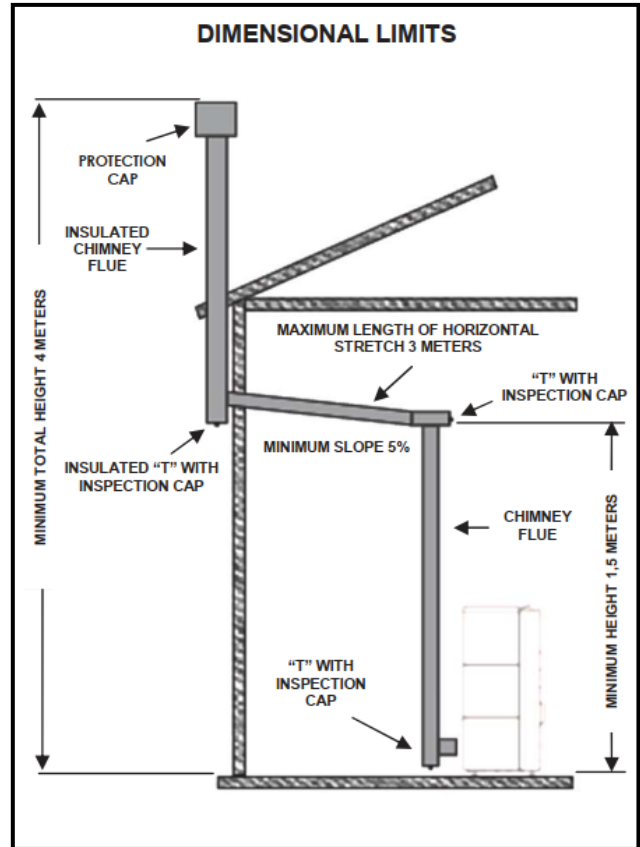
- The stove must be installed on a floor with an adequate load capacity. The weight of the stove is shown on the label plate glued on the back of the appliance. If the weight is excessive compared to the load capacity of the floor, install a weight distribution plate.
- If the stove is installed in a room with a flammable floor, a plate of non-flammable material must be placed under the appliance, the size of which must exceed the base of the stove by 30 cm on the front and 10 cm on the other three sides. The plate must have a minimum thickness of 2 mm.
- The room in which the stove will be installed in must be ventilated with sufficient fresh air to replenish the air burnt during the combustion. For this reason, an air intake must be made near the stove outside the house with a minimum surface area of 200 cm<sup>2</sup>. The air intake must be protected by a grid which must be made in such a way that it cannot be obstructed.
- The combustion air inlet can also be connected directly to the outside, in order to improve the air supply and to avoid indoor environment smoke spillage in case of wind blowing back into the chimney.
- When installing the stove, adequate spaces must be provided to allow normal maintenance and cleaning operations and access to the chimney.

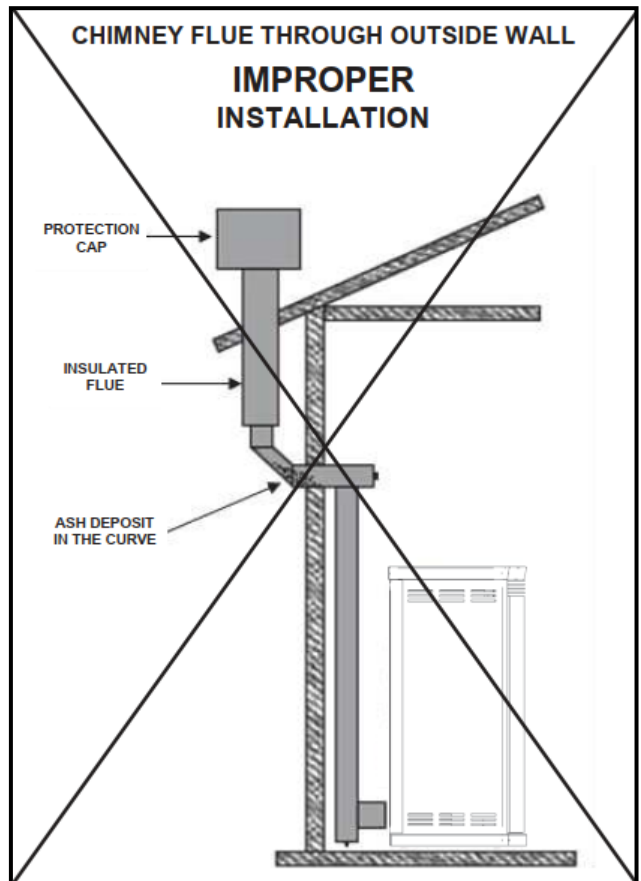
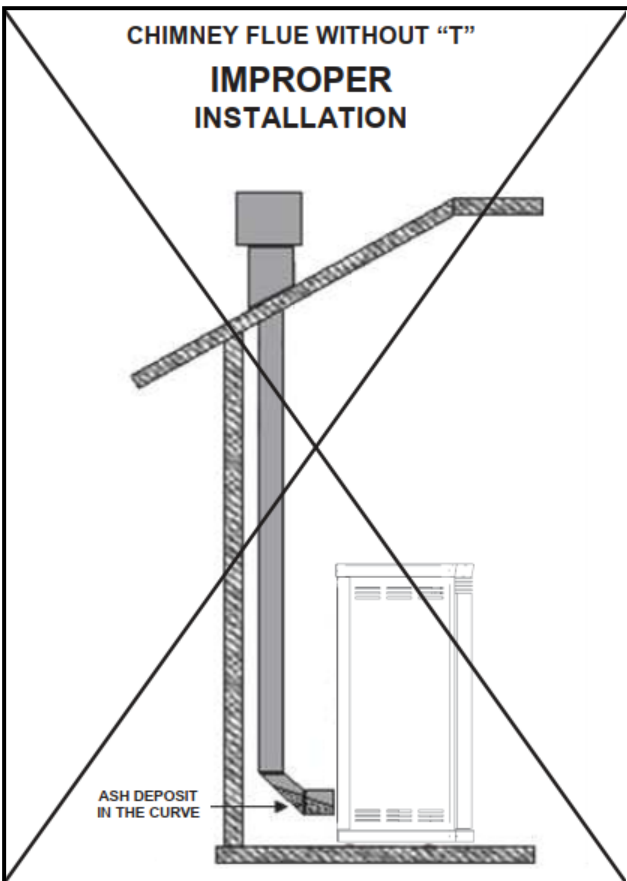
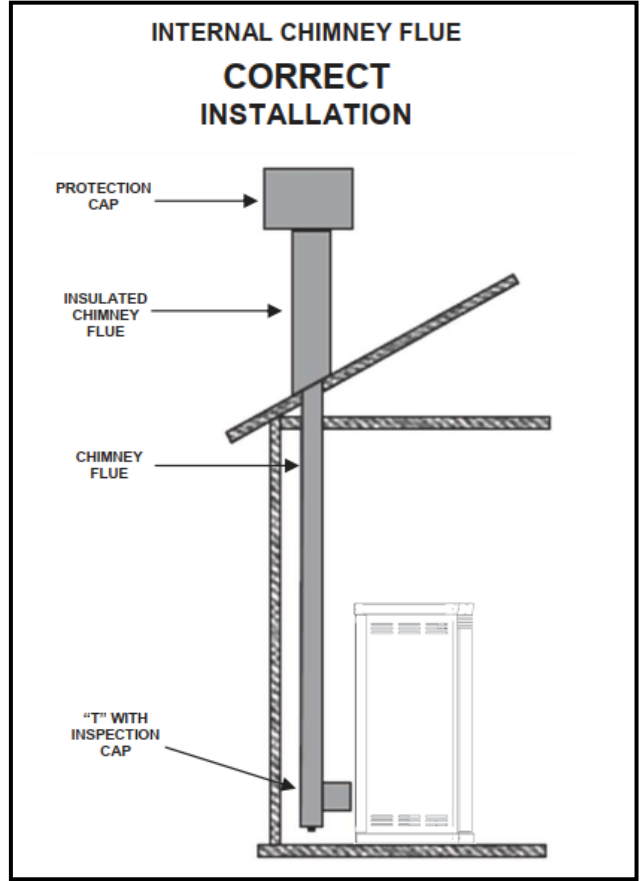
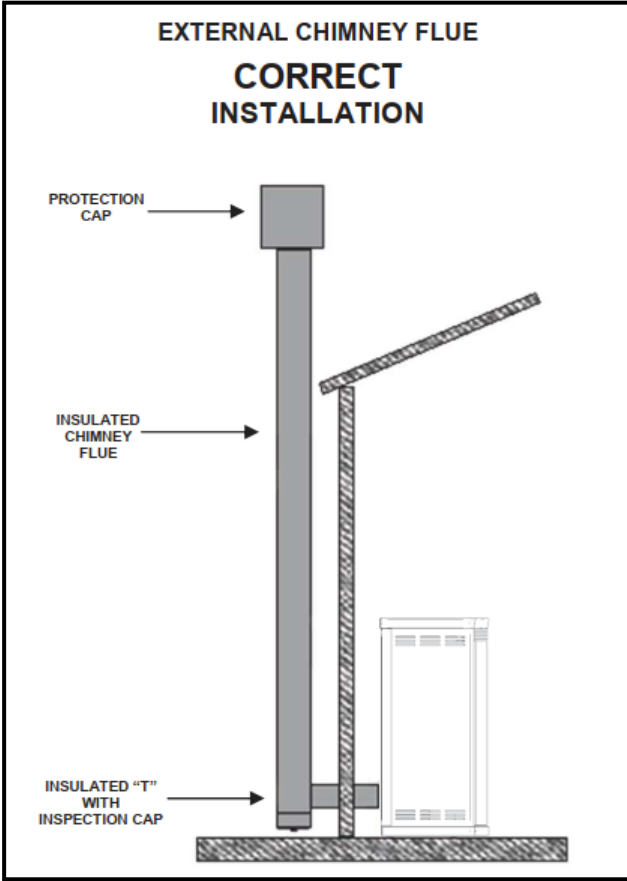
### 4.1 - Chimney installation

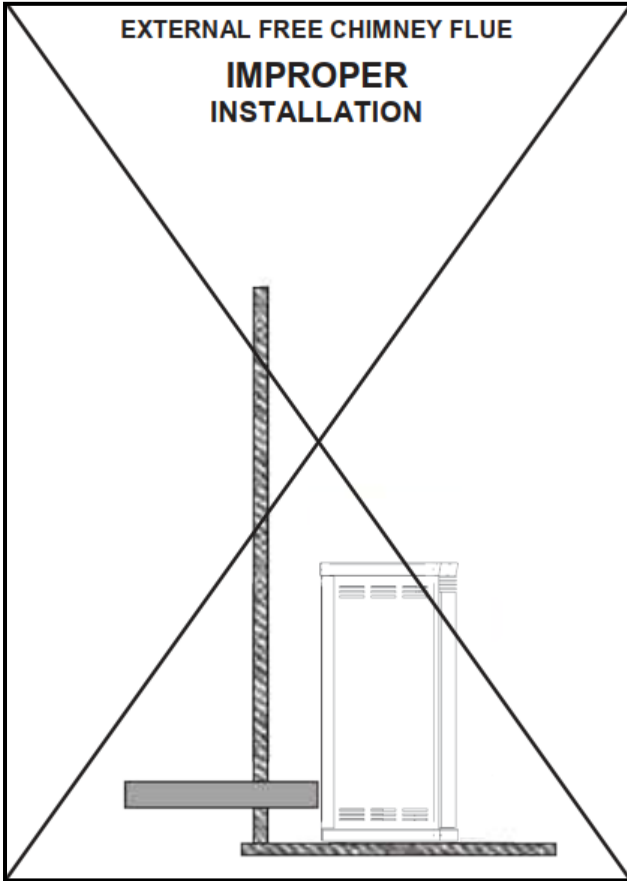
The stove must be connected to a chimney with a draft not less than 12 Pascal. The installer or the authorized maintenance technician must ensure that the chimney and its connection are carried out correctly, in accordance with the sector regulations (UNI 10683 and UNI EN 13501-1).

The stove must have its own dedicated chimney: it is forbidden to connect the stove to a chimney already serving another appliance.

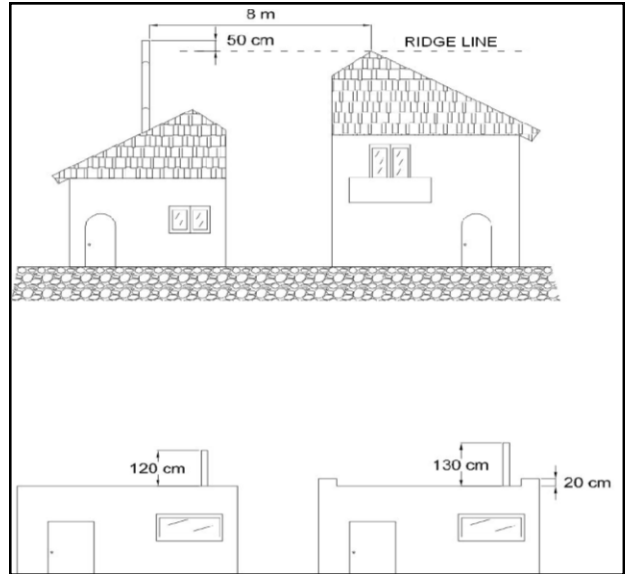
Below are some examples of chimney installations.







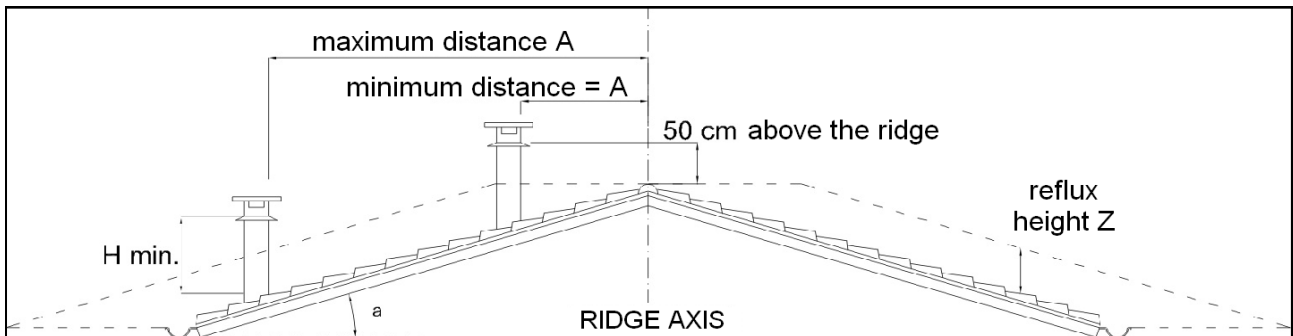
For the connection to the chimney, we recommend the use of stainless steel pipes in compliance with current regulations, without reductions, and with a maximum inclination of 45°. It is recommended not to use flexible metallic and / or fiber cement materials.



The external parts of the chimney must be insulated in order to avoid condensation and the formation of creosote on the internal walls of the chimney, which in the long run reduces its section and therefore the ability to evacuate the smoke.

The chimney must be made of stainless steel pipes insulated with material resistant to high temperatures.

It must be maintained as much vertical as possible by minimizing curves (maximum 45° inclination) and avoiding bottlenecks and changes of section capable of producing turbulence and pressure losses.



$\alpha$	A	H	Z
Roof pitch	Distance between the roof axis (ridge) and upstream side of chimney	Minimum height from roof outlet (h minimum)	Reflux area height
15°	1,85 m	1,00 m	0,50 m
30°	1,50 m	1,30 m	0,80 m
45°	1,30 m	2,00 m	1,50 m
60°	1,20 m	2,60 m	2,10 m

The chimney must preferably have a round section in order to minimize pressure drops and facilitate the evacuation of combustion fumes. If a square or rectangular section duct is used, the edges must be rounded with a ratio between the sides equal to 1.5.

The internal walls must be smooth and waterproof to avoid the deposit of unburned materials and the absorption of condensate.

Contact between the chimney and flammable or combustible materials must be avoided, either through the use of suitable insulating materials or through the creation of an air gap.

It is extremely important to check the exit of the chimney on the roof. In this sense, refer to the figures and table on page 7.

#### 4.2 - Connecting the stove to the chimney

MORETTI DESIGN wood stoves provide the possibility of connecting the chimney or on the top or on the rear (see the figures below).

During production, a mouthpiece (male) is installed on one of the two outlets for the connection of the pipe to the chimney, while the other outlet is closed with a rectangular plate.

On the external aesthetics (top and rear), there are circular pre-holes in correspondence with the smoke outlets

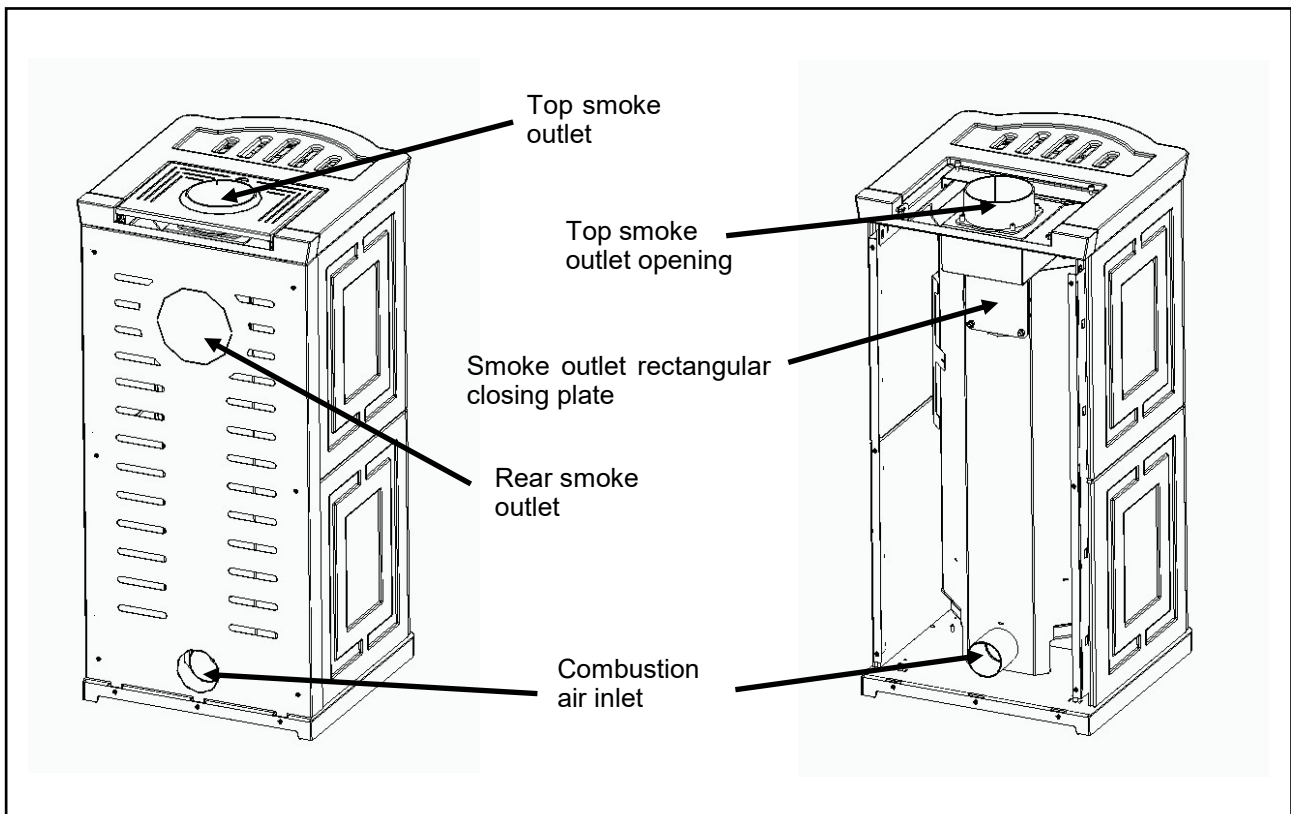
For the connection of the chimney, proceed as follows:

- break the pre-hole in the aesthetics on the smoke outlet you want to use (top or rear);
- If necessary, dismantle the mouthpiece for the connection to the chimney and position it on the desired outlet;
- use the metal plate that may be removed to close the unused smoke outlet.

It is important to make sure that with the disassembly and reassembly of the mouthpiece and closure plate, the unused smoke outlet is always correctly closed, in order to avoid smoke leakage into the environment, and that the gaskets are always present.

**WARNING:** it is possible that from production the mouthpiece is positioned on the rear outlet.

**WARNING:** it is advisable to carry out any connection to the chimney without the majolica or glass aesthetics assembled, in order to avoid damaging them.





## 5 - PERMITTED FUELS

The stoves are designed for using wood. For a high efficiency, the use of wood with humidity lower than 20% is recommended. For drying wet wood, storage in a well-ventilated room for a period of 2 years is recommended.

If wooden logs are used, they must be kept in a dry environment so as not to compromise them with excessive humidity. The use of excessively damp wood or logs leads to a loss of efficiency of at least 20%, to a higher fuel consumption and to tar production which further reduces the efficiency of the stove.

## 6 - INSTRUCTIONS FOR A SAFE USE OF THE STOVE

It is absolutely forbidden to use flammable liquids for lighting up and using the stove. It is also forbidden to burn any type of plastic, wood containing chemical materials and other chemically treated wood waste. Use only the permitted fuels listed in paragraph 5.

Some surfaces of the stove, especially the front glass areas, are subject to severe overheating and can cause serious burns on touch. It is therefore recommended to handle the stove with the utmost attention when it is lit up or during the minutes immediately after the flame is put out.

It is prohibited to place flammable materials on the stove when in use or when it is still hot, it can ignite and cause a fire. It is forbidden to place any type of container containing cold water on top of the stove.

It is recommended to be extremely cautious when removing hot ash. Hot ash must not come into contact with flammable substances, for example when they are emptied into a dustbin.

In the event the chimney catches fire, immediately extinguish the flame in the stove by closing the combustion air inlet through the special levers (see paragraph 6.1), remove the hot ashes with a small shovel and deposit them in a non-flammable container. Contact the fire brigade immediately.

MORETTI DESIGN will not be held responsible for any damage to people, animals or things resulting from unauthorized modifications to the appliance or from failure to comply with the indications provided here.

## 7 - USING THE STOVE

### 7.1 - Combustion

For an optimal combustion, it is essential that there is a sufficient intake of combustion air inside the combustion chamber. Therefore, it is appropriate to verify that the external air intake is present and is not obstructed, and that the combustion air inlet tube on the rear of the stove is free from obstructions.

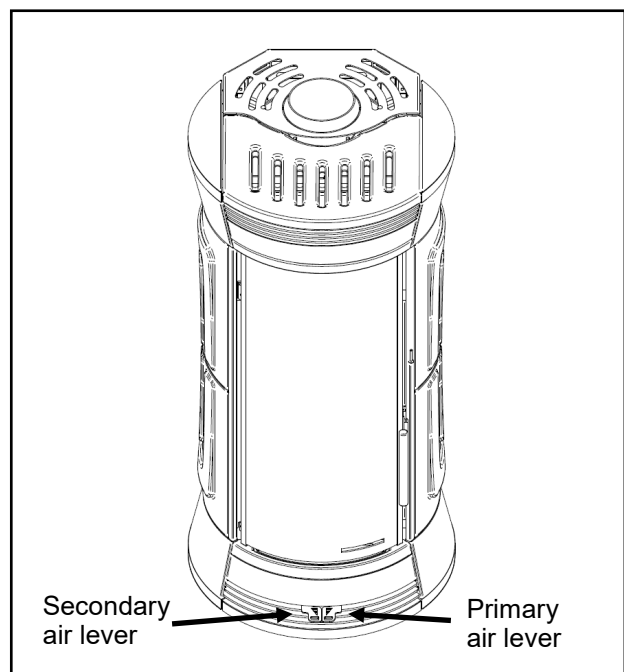
For a more efficient combustion, there are several combustion air inlets inside the combustion chamber: one primary air inlet and one secondary air inlet.

The primary air is essential during the lighting up phase and is fed into the lower part of the combustion chamber; The secondary air is instead fed into the upper part of the combustion chamber and serves to improve combustion itself and help keep the door glass clean.

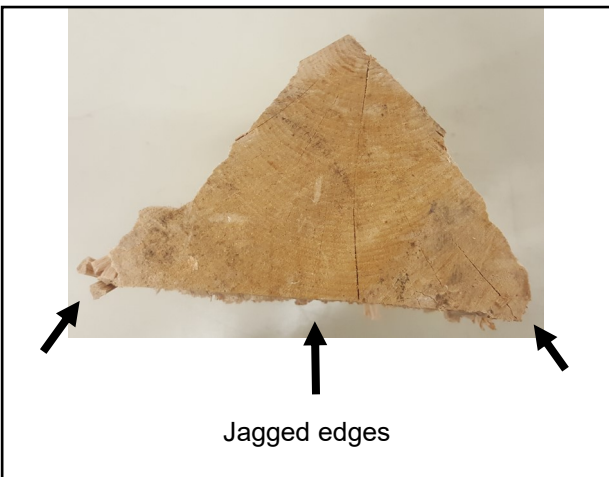
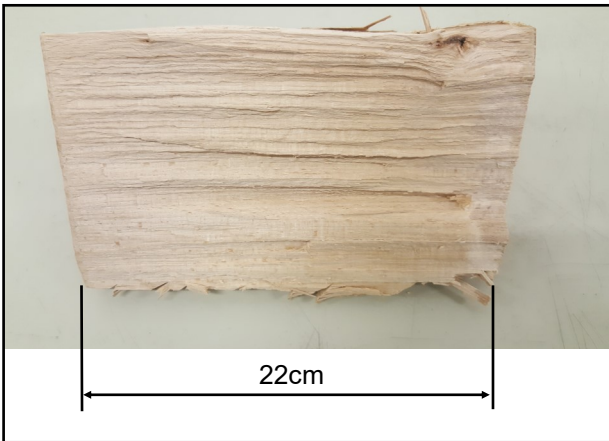
Both primary and secondary air are adjustable. For an efficient combustion it is essential to regulate the right amount of air in the combustion chamber, so as to also reduce emissions of harmful gases into the environment. To best adjust primary and secondary air, act on the levers shown in the figure below.

To open the air to the maximum, position the levers towards the outside of the stove.

To completely close the air, position the levers towards the center of the stove.



The exact setting of the levers for the adjustment of the combustion process can not be determined uniquely. The optimal amount of combustion air is influenced by a series of factors: the type and humidity of the fuel, the draft of the chimney, the conditions of external pressure, etc. Therefore the user must adjust the combustion process (flame intensity and quality) according to the existing conditions. To obtain maximum efficiency, the right lever must be positioned all the way back (towards the stove) to completely close the primary air and the left lever all the way forward to fully open the secondary air. Use a triangular shaped log weighing about 1.5 kg and about 220 mm long with jagged edges and support part that leans on the grid (see images). The technical data (see page 12) contains the recommended hourly wood consumption.



### 7.2 - First ignition

The first ignition of the stove must be done using soft wood, so that the temperature rises slowly. It is important, once the stove is lit, that a live flame is maintained for at least an hour.

In this span of time, the applied coating is burned, stabilized and the adequate strength, hardness and abrasion resistance is obtained. During this process, the room must be intensely ventilated to disperse the fumes. Do not touch the stoves surface during combustion, the paint may be damaged.

### 7.3 - Subsequent ignitions

Before each ignition, clean the ash grid; then, put crumpled paper, wood chips or small logs on the base of the combustion chamber. Solid firelighters can also be used. Never use liquid gasoline-type flammable substances to light.

Place wood in quantities not exceeding 2 kg. Ignite the paper or wood chips and close the door tightly.

When igniting, we recommend that you keep both the primary air lever and the secondary air lever fully open (positioned towards the outside of the stove). This will help develop earlier the flame.

Once the stove is lit, in order to control the flame, and then the combustion air inlet, first act on the primary lever until it is eventually closed, and secondly act on the secondary air. In particular, the primary air must be reduced to a minimum when the stove has reached an efficient combustion state, and the flame must be regulated by opening or closing the secondary air lever.

### 7.4 - Cleaning the glass

The use of a proper fuel, a sufficient air inlet for combustion (in particular secondary air) and an adequate draft in the chimney, affect the preservation and cleanness of the glass of the door.

In the case of dirty glass, clean it when the stove is cold with suitable detergents and with a soft cloth that cannot scratch the glass itself.

### 7.5 - Removal of the ashes

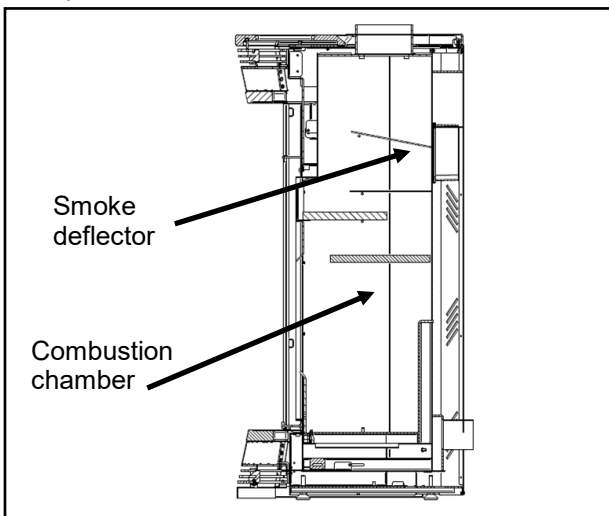
In the event that the stove is in operation for a long time, it is advisable to move the ash over the grid so as to allow it to fall into the drawer below. It is also recommended not to let the ash drawer become too full, which could hinder the passage of air under the grid and create subsequent combustion problems.

**WARNING:** Before emptying the ash drawer, check that the ash is completely cold and does not contain any lit remains of fuel, which could cause a fire in the dustbin. Burnt ash can be used for compost or as a fertilizer.

## 8 - CLEANING AND MAINTENANCE

At least once a month, the smoke deflector must be removed to clean it of any soot that has accumulated in its upper part.

The deflector is located in the upper part of the combustion chamber (figure below); to remove it, access it from the combustion chamber door, then lift it slightly and tilt it in order to get it out of its final position.



The stove must be serviced at least once a year (after the winter season) or more frequently in case of intensive use or use of poor quality fuel; the stove must always be cold before cleaning.

During the cleaning procedure, any soot and ash in the smoke outlet and combustion chamber must be removed. The ash grid must be cleaned and left without obstacles between the cracks. Any parts of the internal vermiculite coating that have fallen should also be repaired.

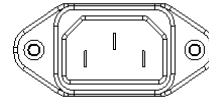
The completeness of the inner lining must also be monitored during the winter season. The gaps between the individual refractory walls are used for thermal expansion and to prevent cracks; the gaps must not be filled in any way (for example with filling).

In any case, the cracks on the vermiculite boards do not cause the loss of their functionality, unless they have fallen completely. Therefore the mere presence of small cracks is not a reason for complaint.

To clean the external majolica tiles, use special and non-aggressive detergents to avoid damaging the paintwork. Use soft cloths to avoid scratching the surfaces.

## 9- Heating fans

To activate the fans, connect the cable to the rear connector and to the power socket.



The three-position switch on the back of the stove allows you to activate the fans at minimum speed (Position I) or maximum speed (Position II). In position 0 the fans are off and are activated automatically only if the stove temperature exceeds a preset limit.



## 10 - DISPOSAL

### 10.1 - Packaging

The stove is delivered assembled on top of a wooden pallet with protective packaging. You can dispose of the packaging in the following way:

- Disassemble the wooden base (can also be used to ignite the stove);
- Throw the rest of the packaging in a bag or in a separate waste collection point;
- Deliver the cardboard to a collection point.

### 10.2 - Disposal of the stove

In the event of cessation use of the stove, throw the coating, glass and gaskets in municipal waste, paying attention to differentiate different materials. The majolica tiles must be placed with building waste. The rest of the stove, i.e. the metal body together with cast iron parts, can be delivered to scrap metal collection points.

In any case, it is recommended to refer to the specific waste collection and disposal regulations of the individual municipalities.

## 11 - WARRANTY CONDITIONS

The buyer is the owner of rights provided by the National legislation that guarantees consumer goods. Therefore the seller guarantee's the buyer against any lack of conformity which becomes apparent within a period of 2 years from the date of purchase. In case of conformity defects within 2 years from the purchase, the seller will repair or replace the product within a reasonable time, taking in account the nature of the product, the purpose for which it was acquired and the procedures that must be undertaken to restore the conformity. The resolution of any non-conformity is not applicable in the following situations:

- failed compliance in following the installation instructions and use;
- accidental causes and negligence of the buyer;
- modifications or repairs carried out by unauthorised personnel;
- improper maintenance;

- operated or stored out of specified environmental conditions for the product;
- use of accessories not sold by the seller and/or parts not designed to be used with the product.

The warranty doesn't include those parts and materials subject to wear and tampering. It doesn't cover any kind of brickwork or plumbing, including disassembly and reassembly of the product. The warranty is effective only if the warranty registration card, enclosed with the manual, is filled in and posted within 8 days from the date of purchase. Moretti Design disclaims any responsibility for incorrect installation or tampering and unauthorized interventions.

### Items not covered by warranty

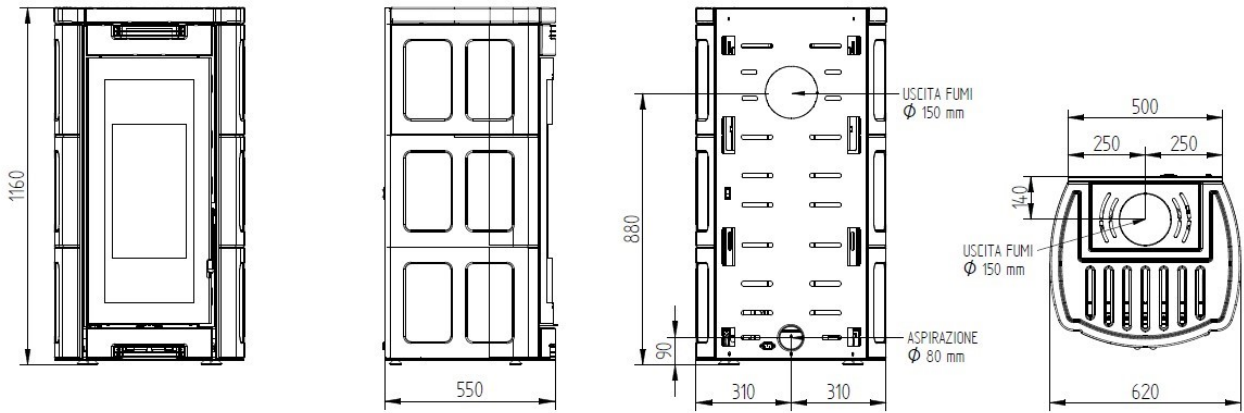
- Glass
- Majolica
- Internal refractory bricks or vermiculite

## 12 - TECHNICAL FEATURES

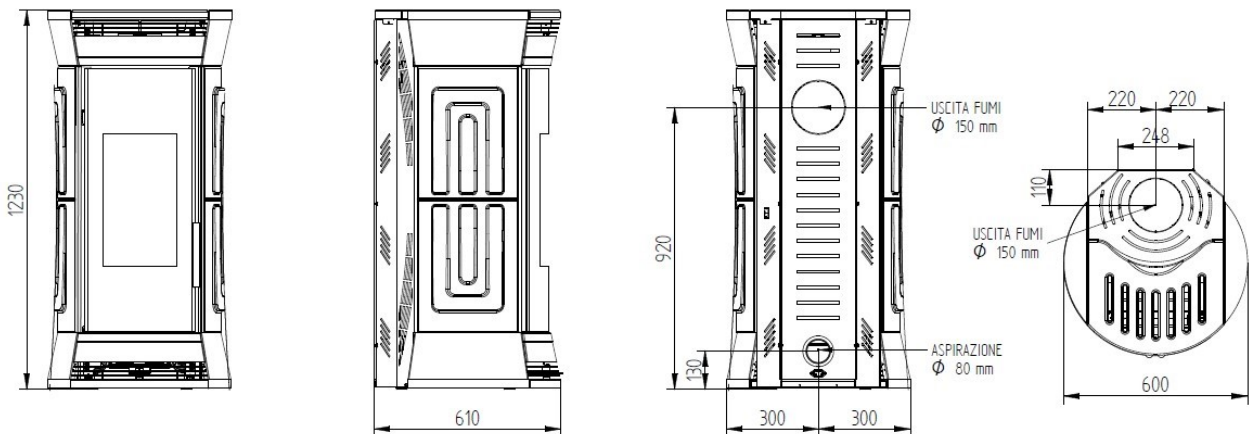
	U.M	ALADINO WOOD ALL STYLE	CLESSIDRA WOOD ALL STYLE	CLEESIDRA WOOD STONE	ELEGANCE WOOD ALL STYLE	ERGONOMIC WOOD GLASS
NOMINAL POWER	kW	11,4	11,4	11,4	11,4	11,4
WEIGHT	kg	200	200	190	200	190
WOOD CONSUMPTION	kg/h	1,61	1,61	1,61	1,61	1,61
SMOKE OUTLET	mm	150	150	150	150	150
AIR INTAKE	mm	80	80	80	80	80
HEIGHT	mm	1157	1234	1234	1147	1261
WIDTH	mm	619	598	598	546	588
DEPTH	mm	620	599	599	590	580
EFFICIENCY	%	87,8	87,8	87,8	87,8	87,8
CO	mg/m <sup>3</sup> 13% O <sub>2</sub>	596	596	596	596	596
CO	% 13% O <sub>2</sub>	0,047	0,047	0,047	0,047	0,047
NOX	mg/m <sup>3</sup> 13% O <sub>2</sub>	84	84	84	84	84
DUST	mg/m <sup>3</sup> 13% O <sub>2</sub>	10	10	10	10	10
SMOKE TEMP.	°C	169,4	169,4	169,4	169,4	169,4
SAF.DISTANCE L-P-F	mm	550-530	550-530	550-530	550-530	550-530

13 - DATA SHEETS AND MEASUREMENTS

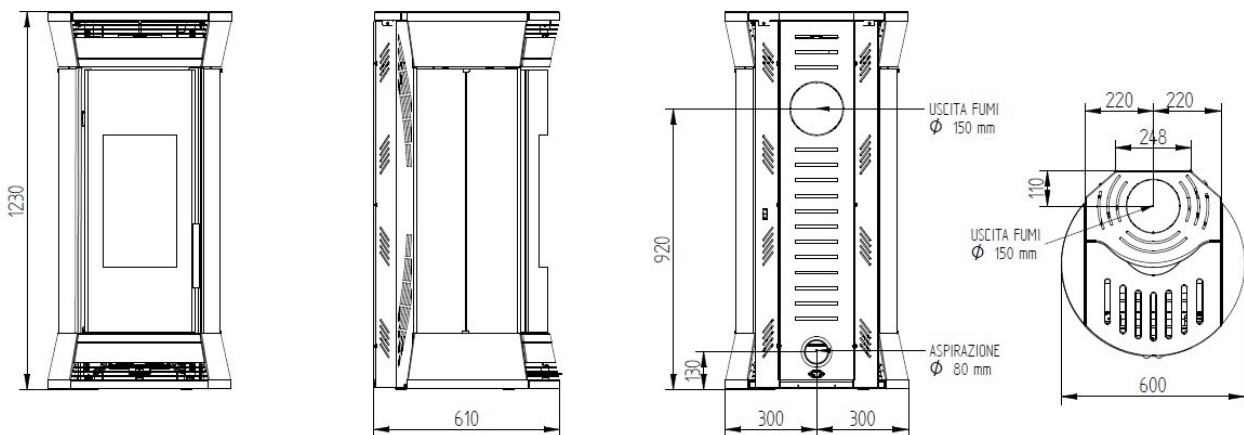
13.1 - ALADINO WOOD ALL STYLE



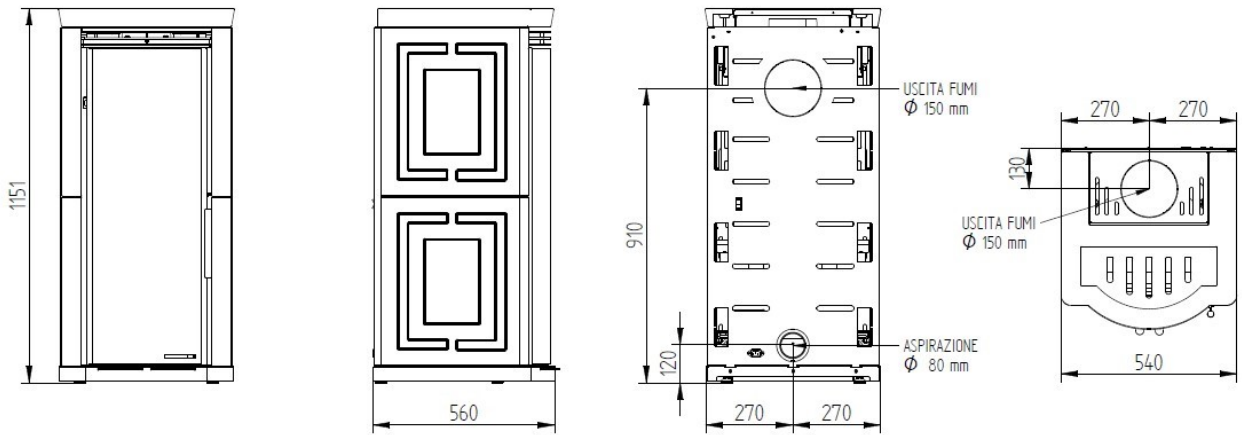
13.2 - CLESSIDRA WOOD ALL STYLE



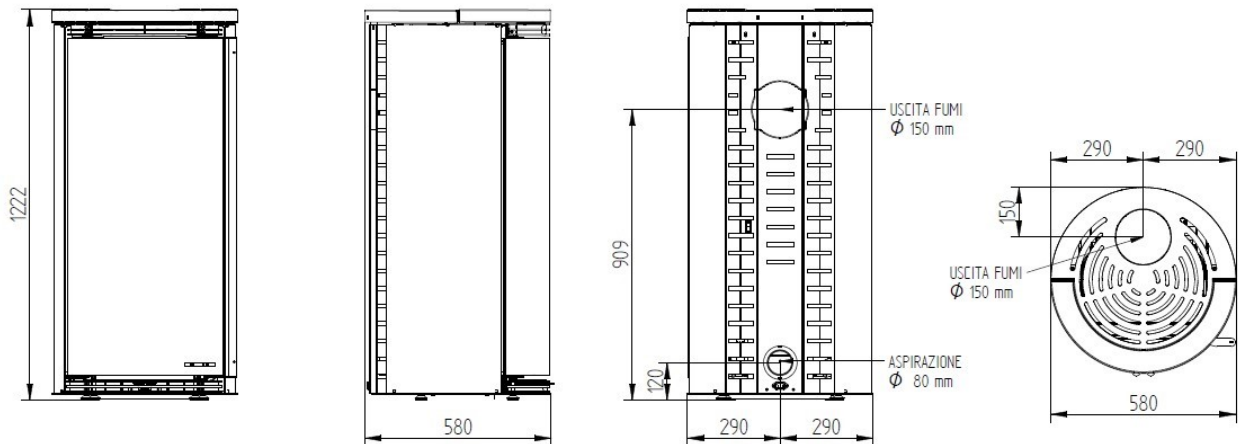
13.3 - CLESSIDRA WOOD GLASS - CLESSIDRA WOOD STONE



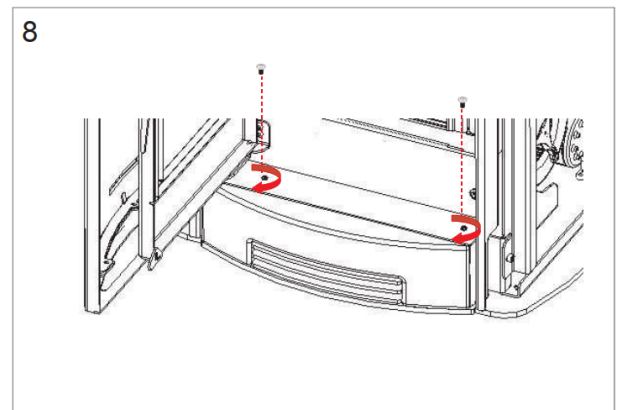
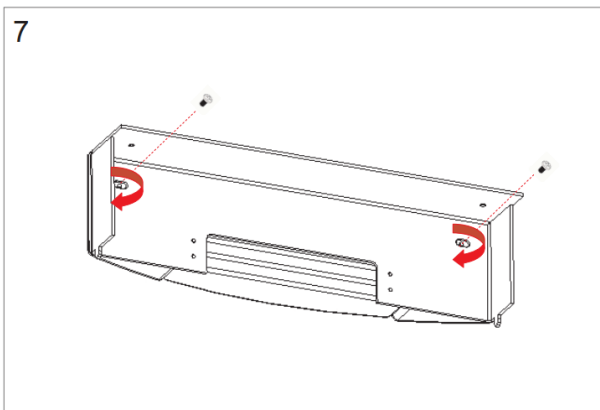
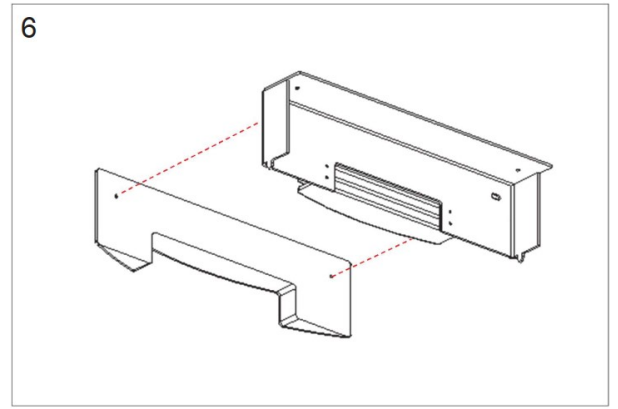
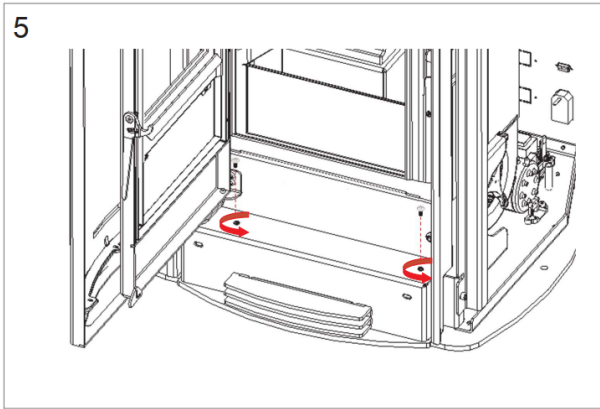
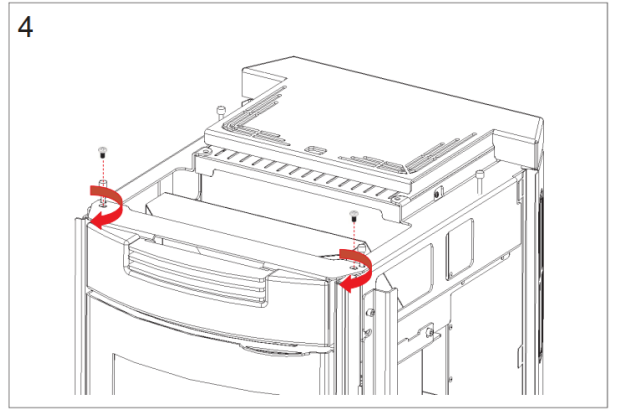
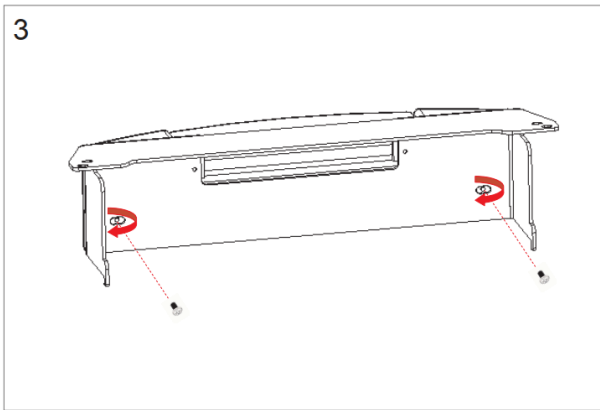
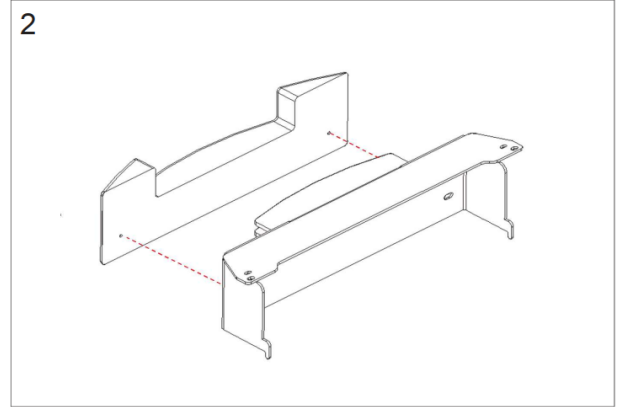
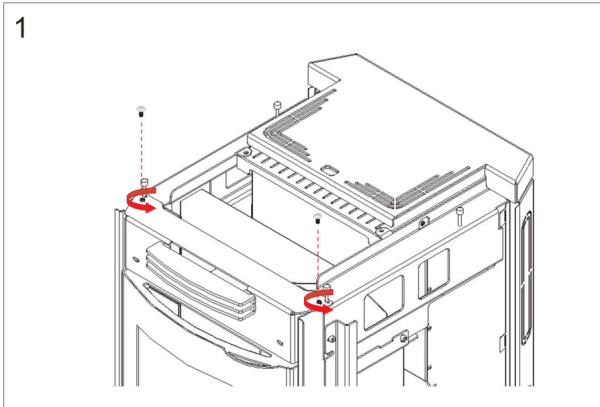
13.4 - ELEGANCE WOOD ALL STYLE



13.5 - ERGONOMIC WOOD GLASS

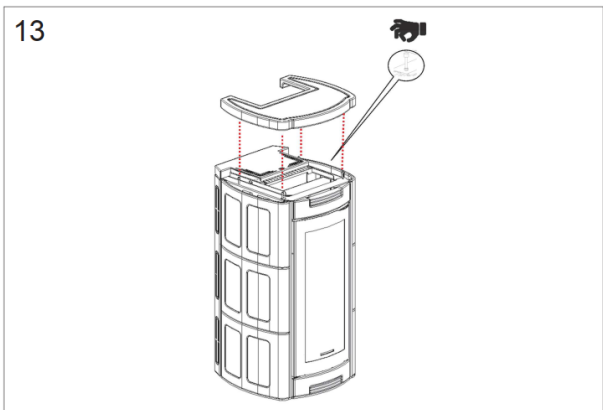
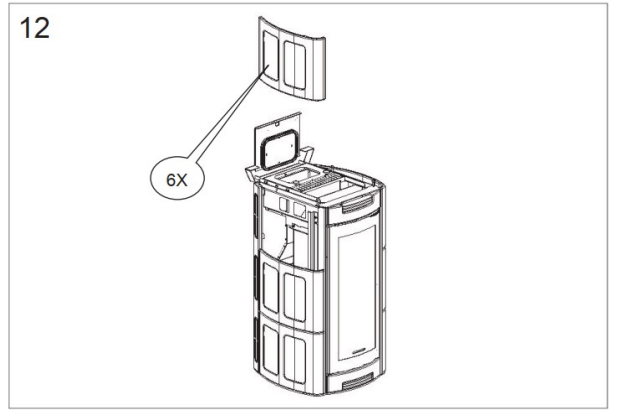
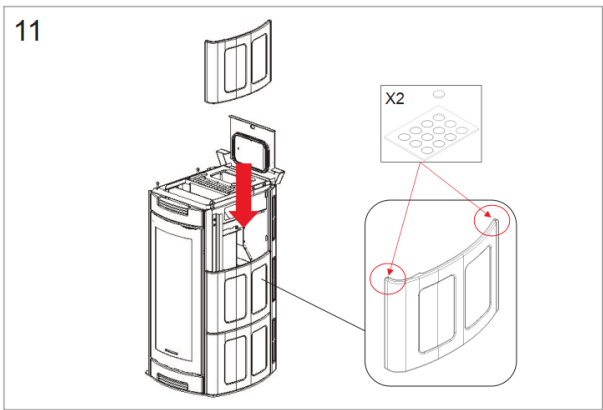
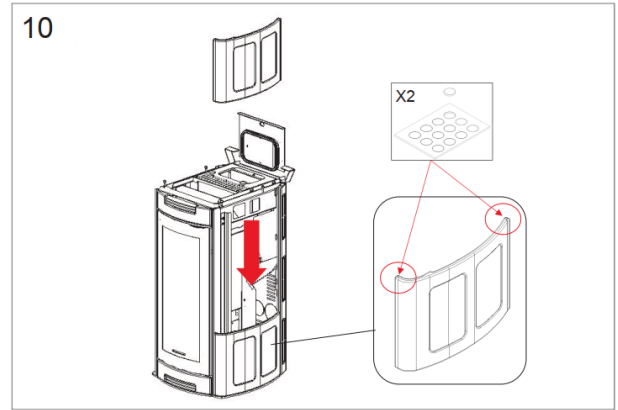
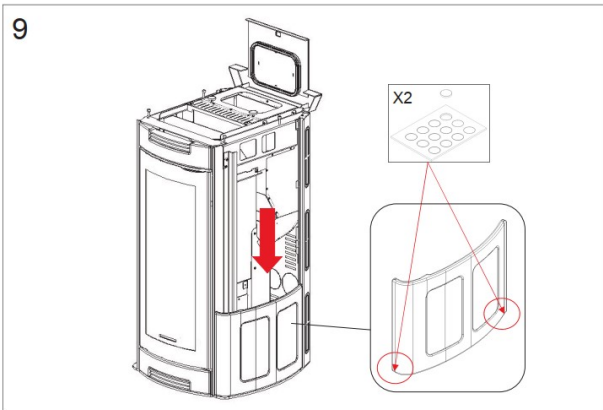


14 - AESTHETIC COMPONENT ASSEMBLY - ALADINO WOOD ALL STYLE



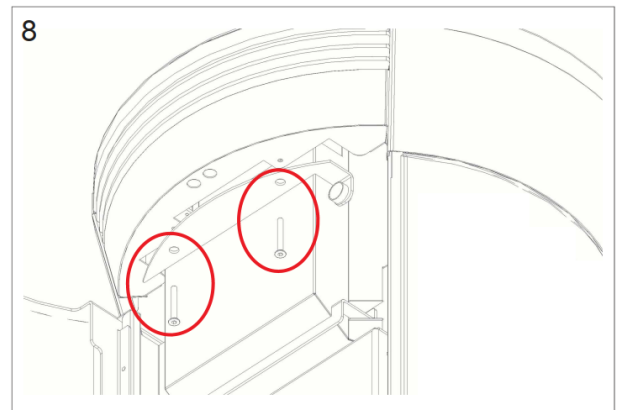
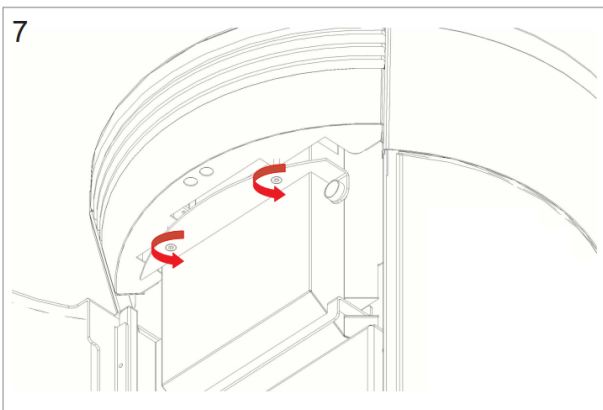
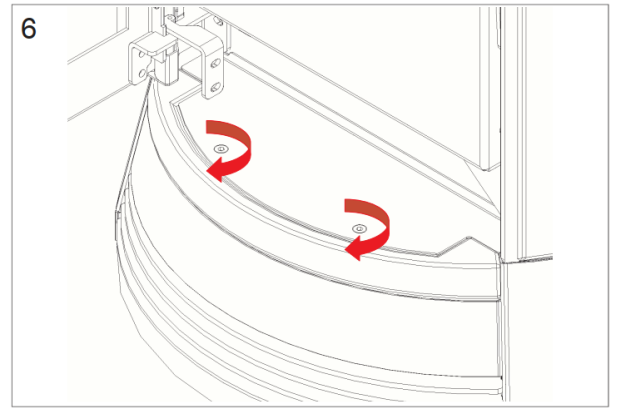
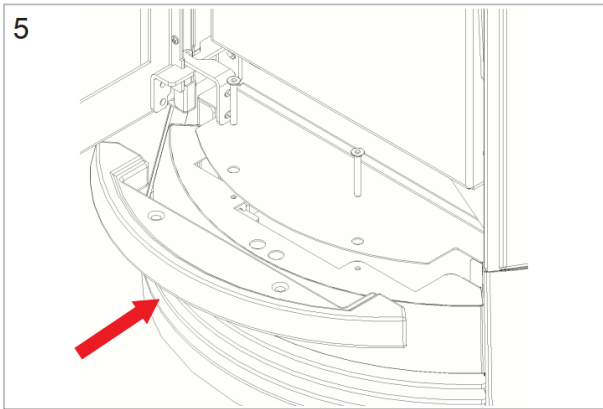
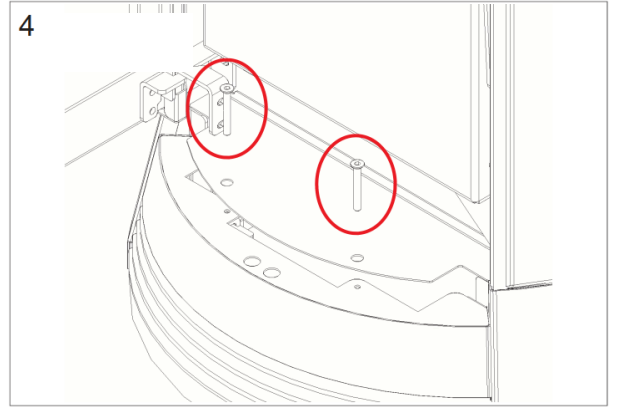
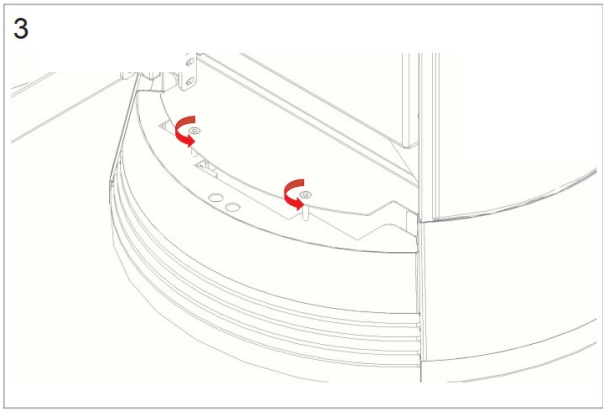
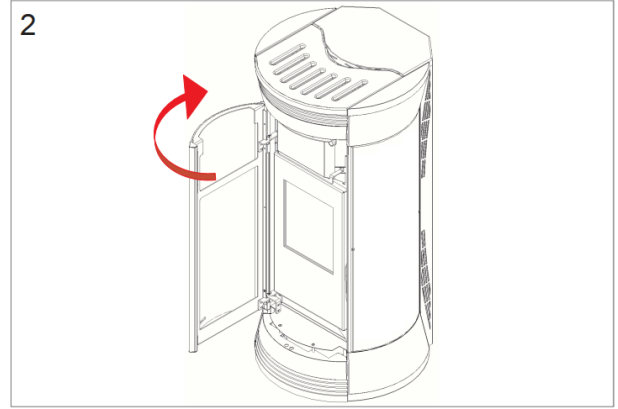
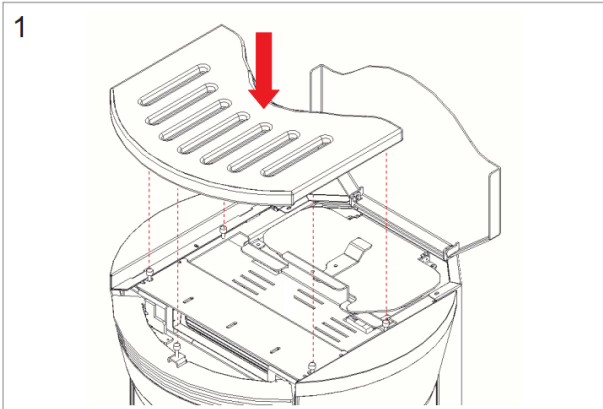


follows ASTHETIC COMPONENT ASSEMBLY - ALADINO WOOD ALL STYLE

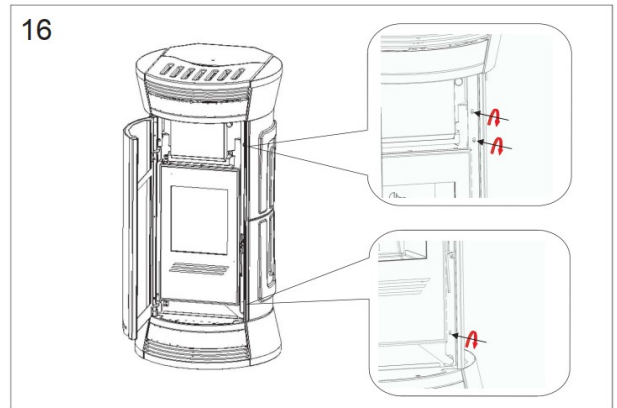
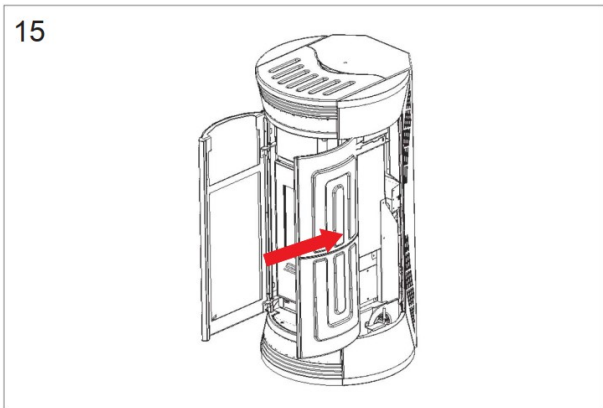
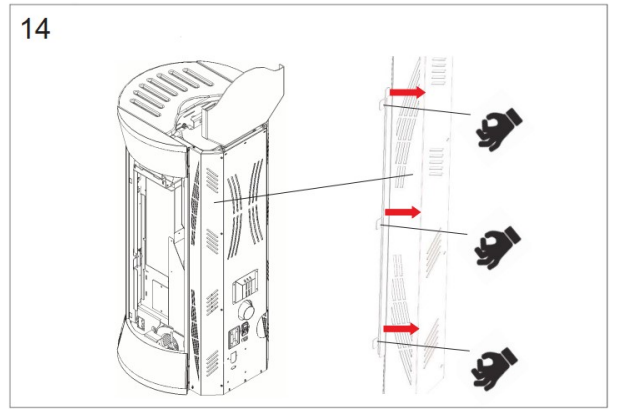
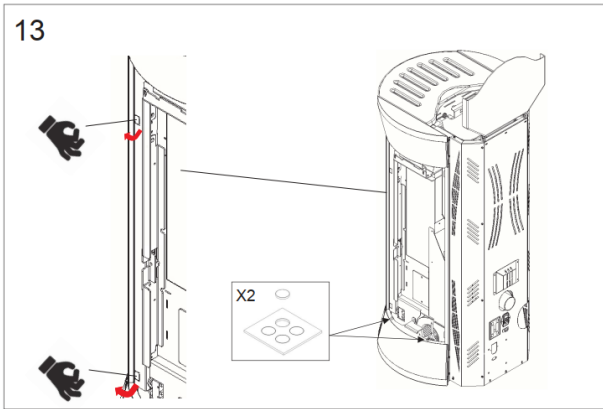
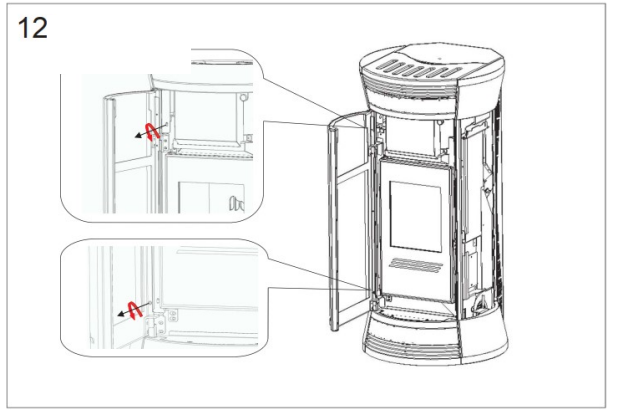
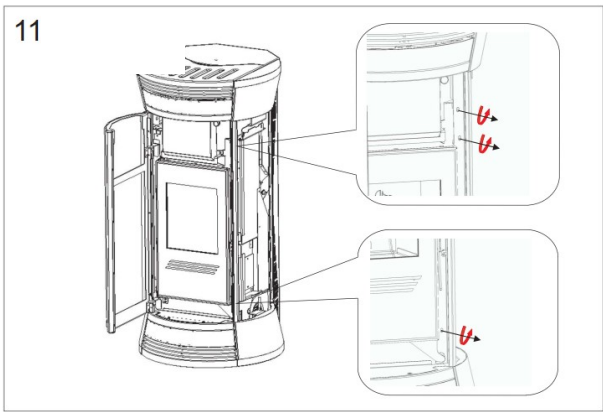
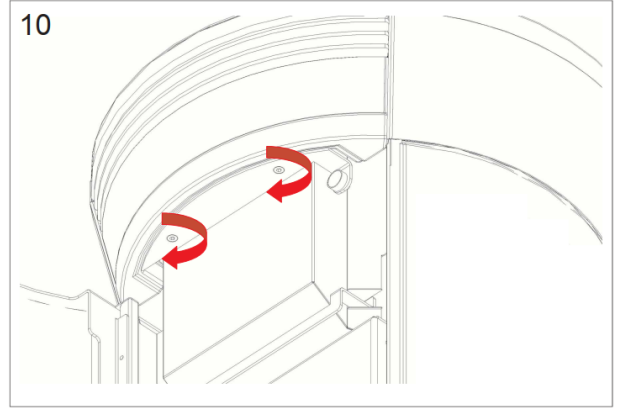
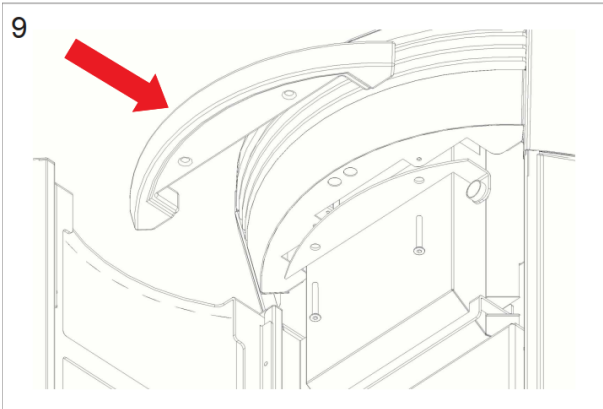




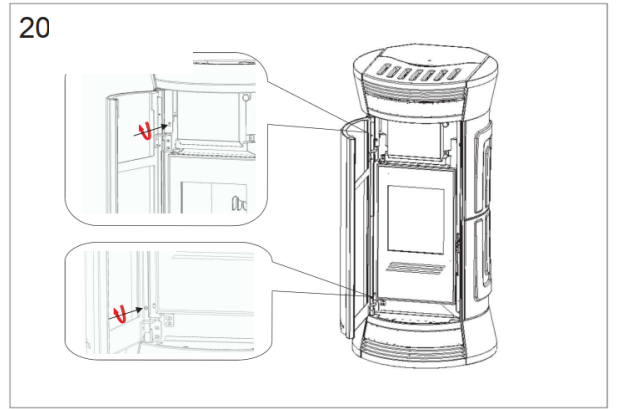
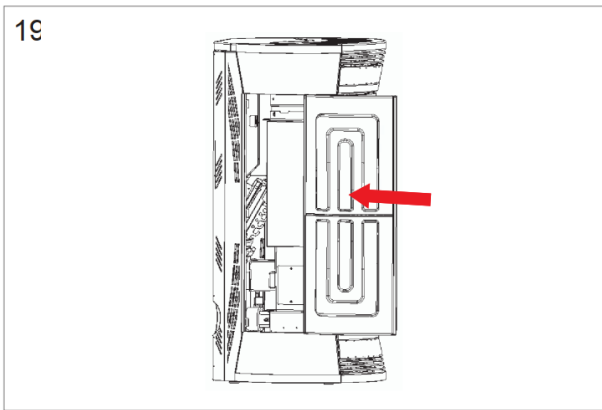
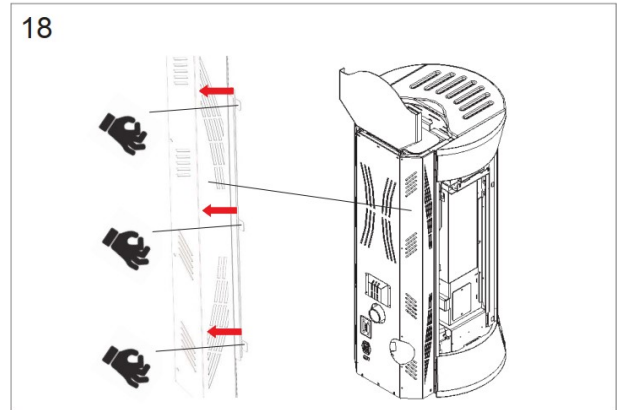
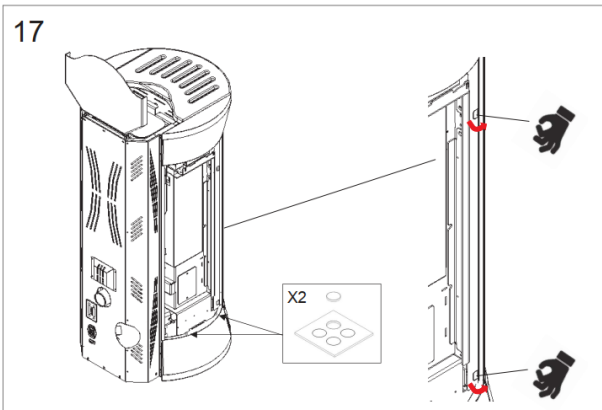
15 - ASTHETIC COMPONENT ASSEMBLY - CLESSIDRA WOOD ALL STYLE



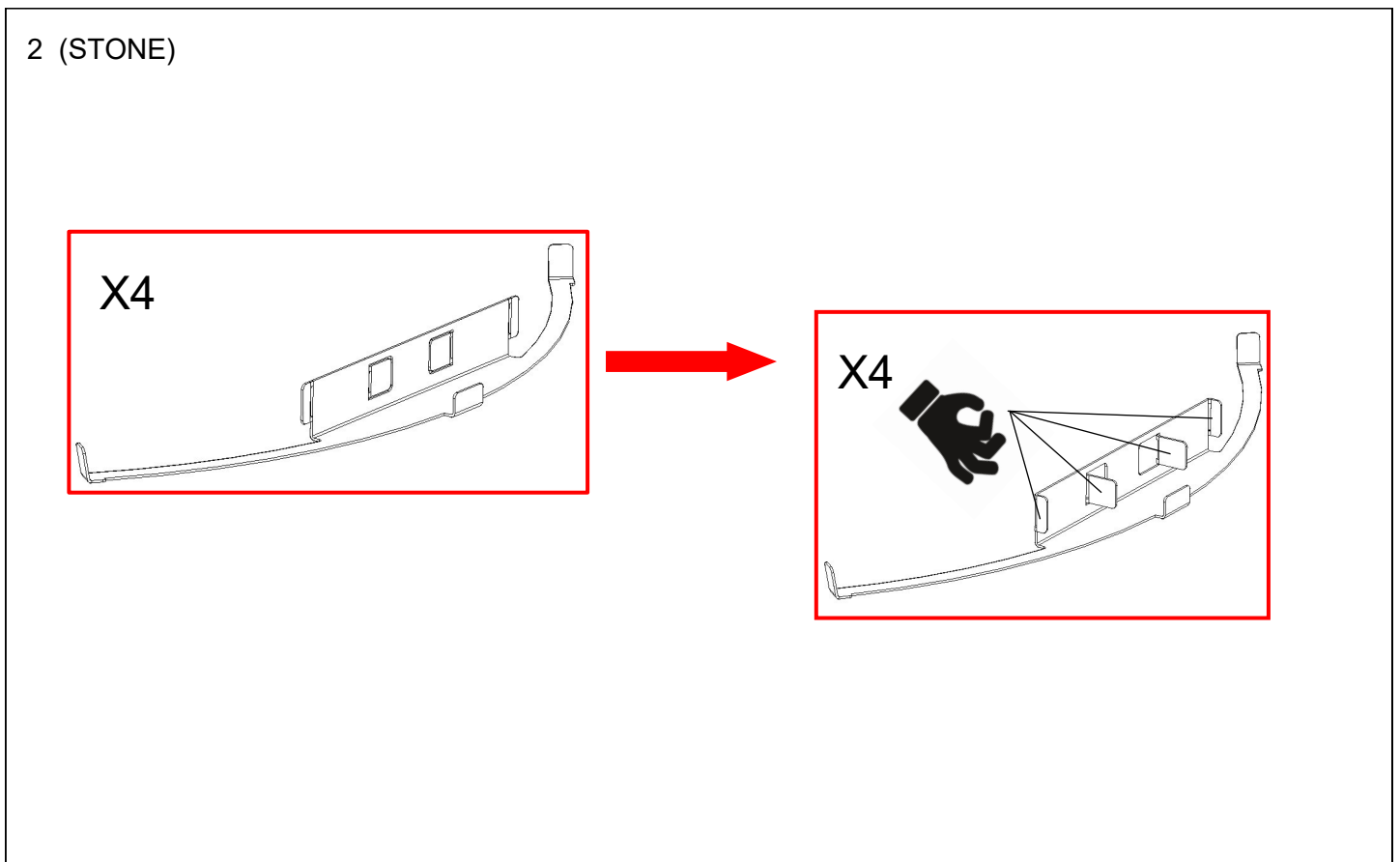
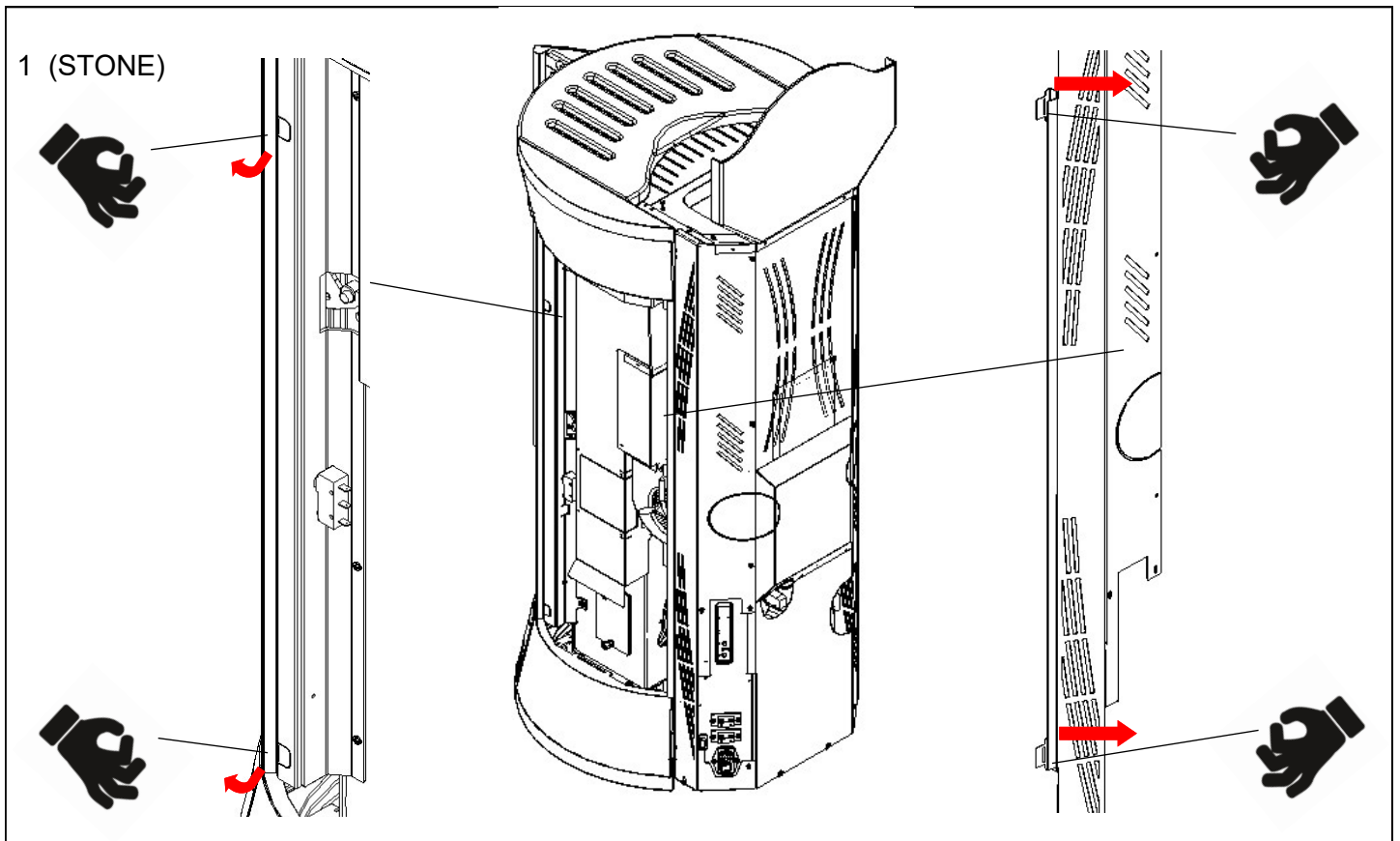
follows ASTHETIC COMPONENT ASSEMBLY - CLESSIDRA WOOD ALL STYLE



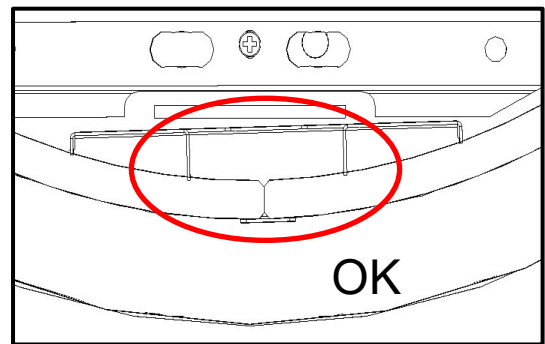
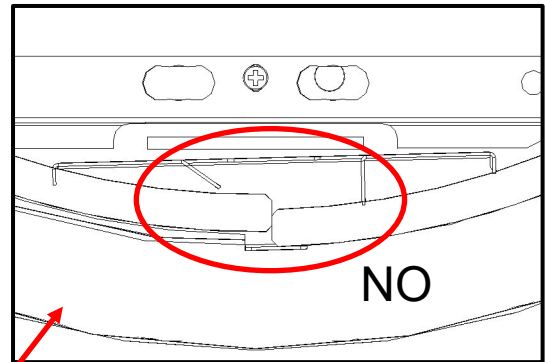
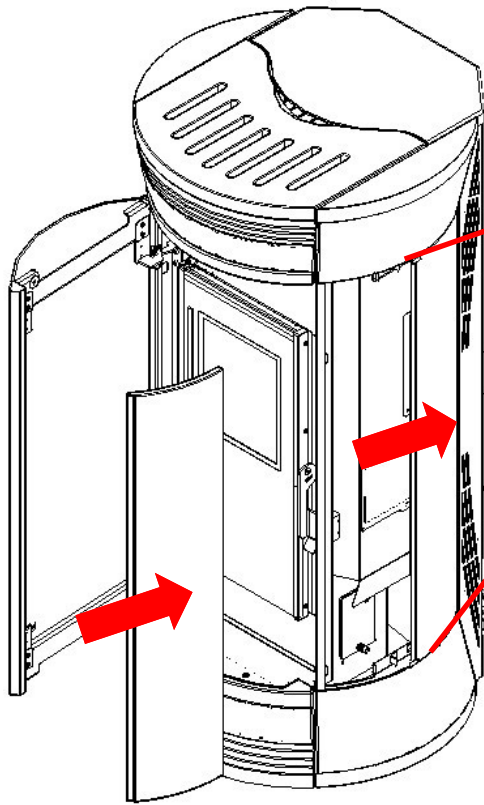
follows ASTHETIC COMPONENT ASSEMBLY - CLESSIDRA WOOD ALL STYLE



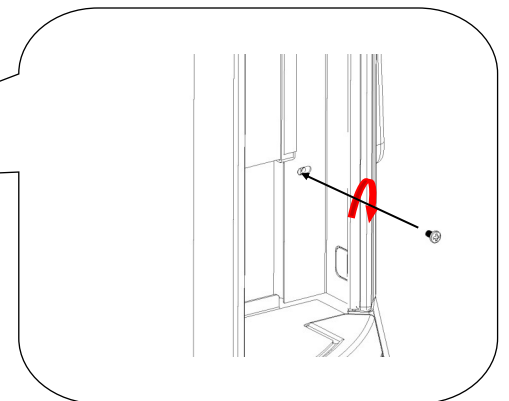
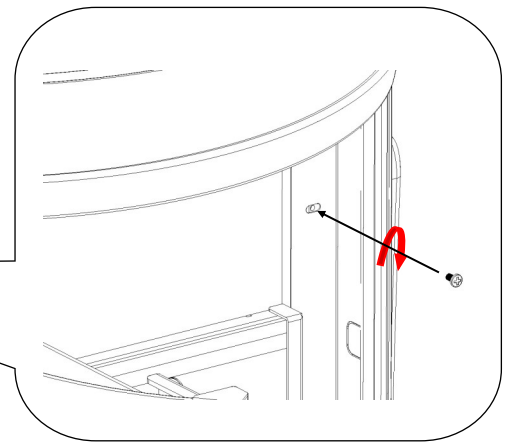
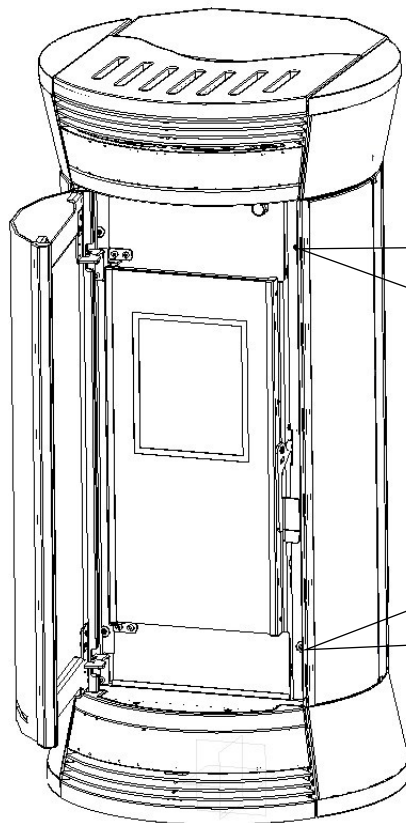
16 - ASTHETIC COMPONENT ASSEMBLY - CLESSIDRA WOOD STONE



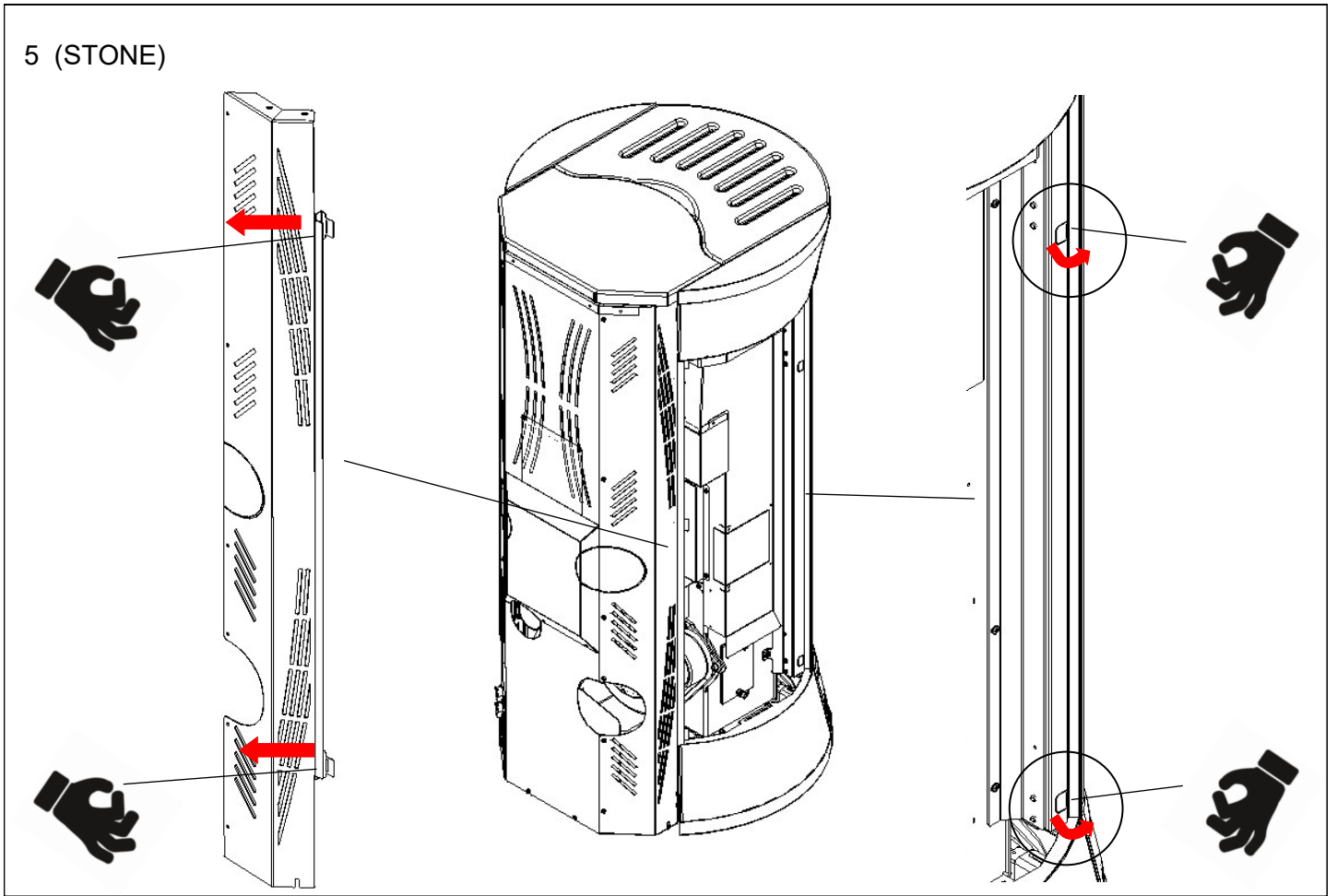
3 (STONE)



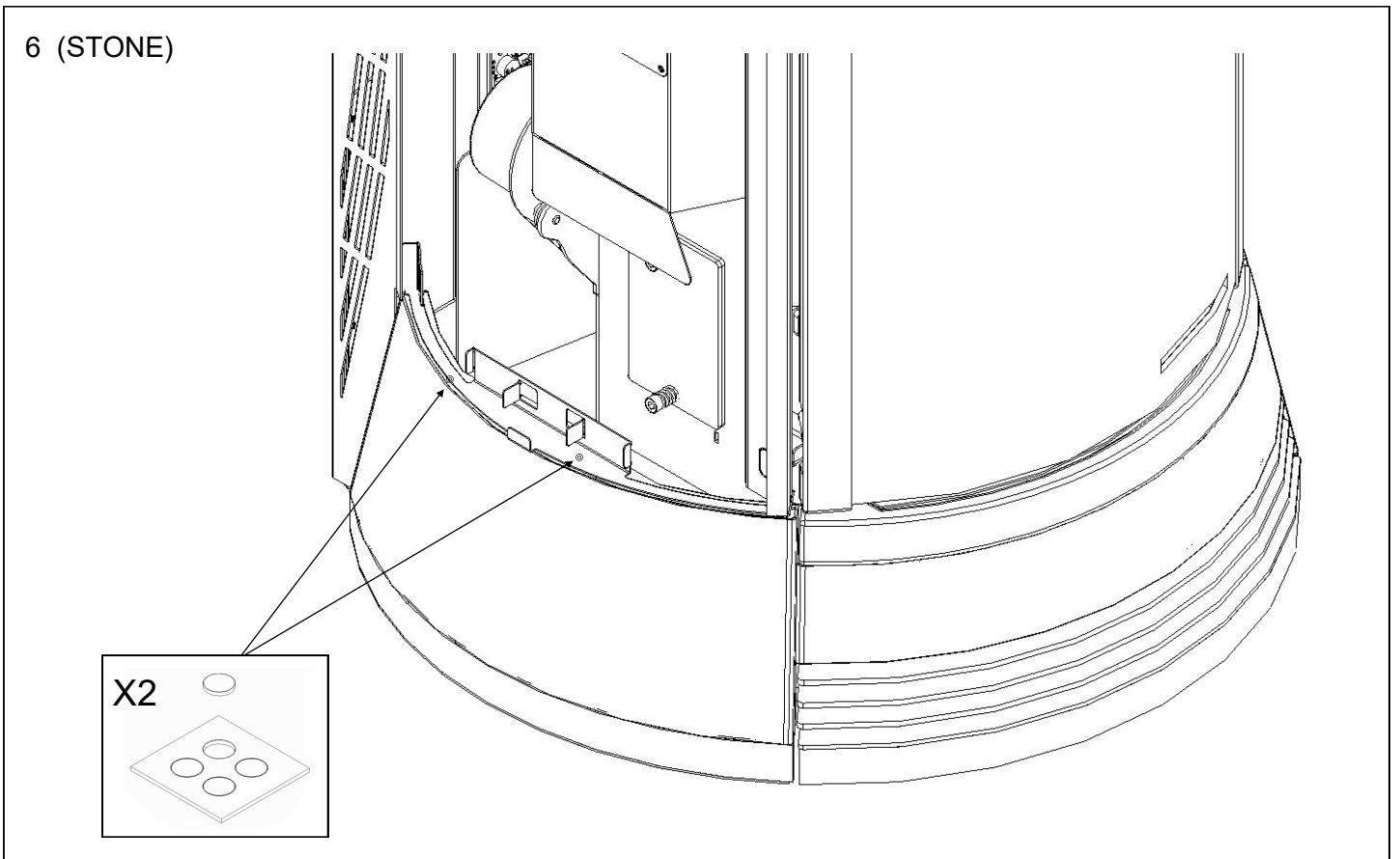
4 (STONE)



5 (STONE)

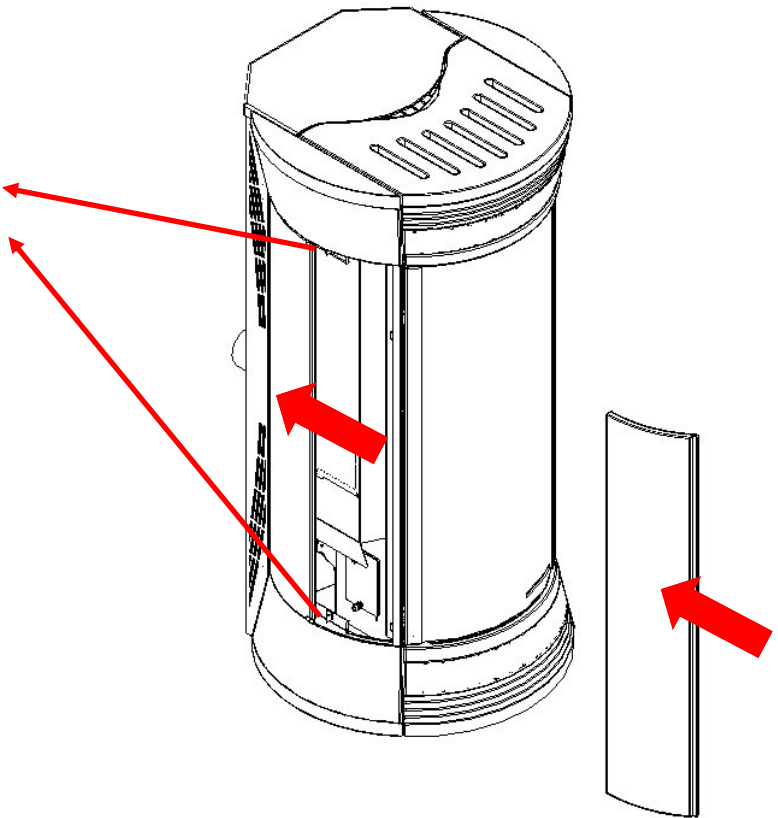
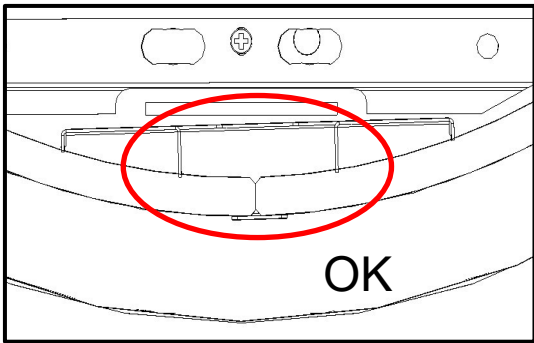
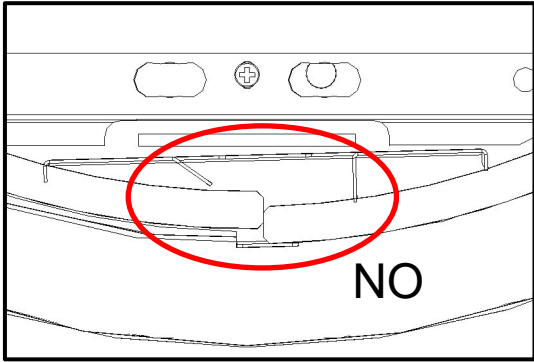


6 (STONE)

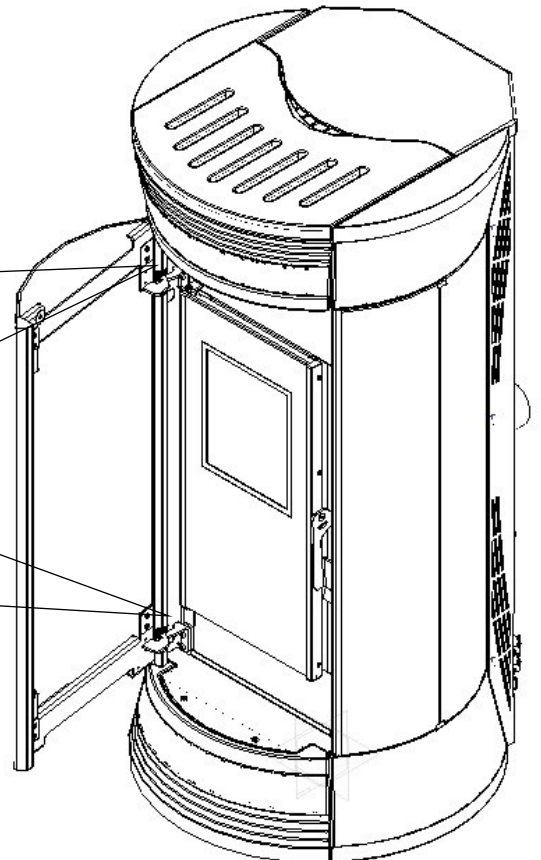
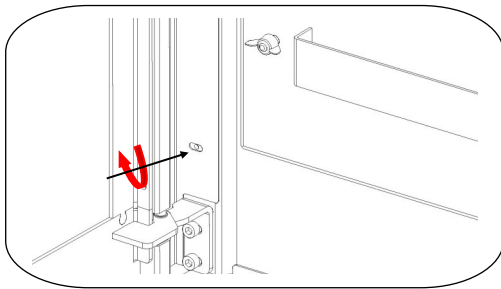
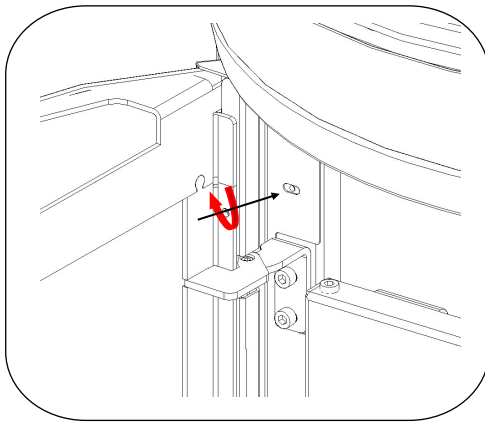




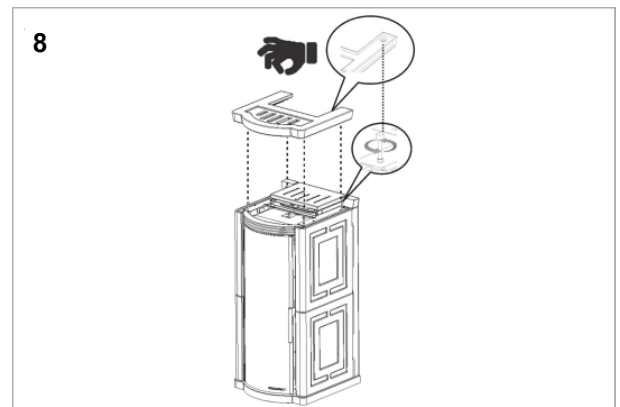
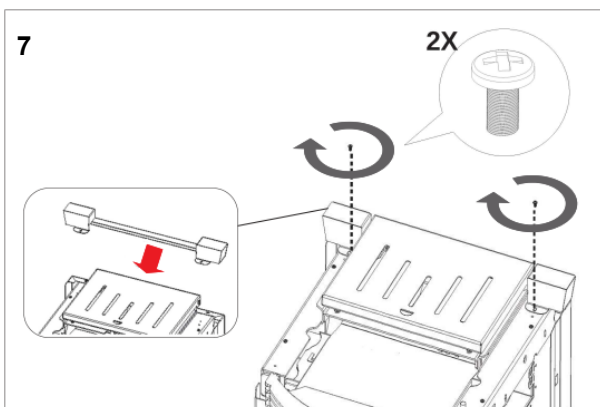
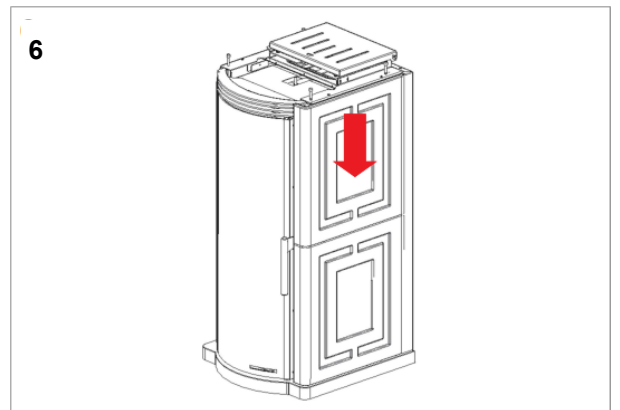
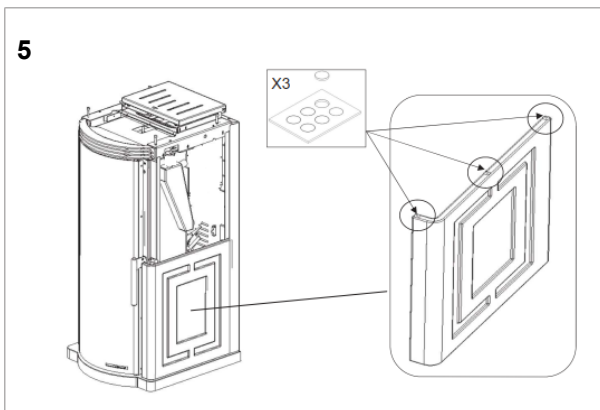
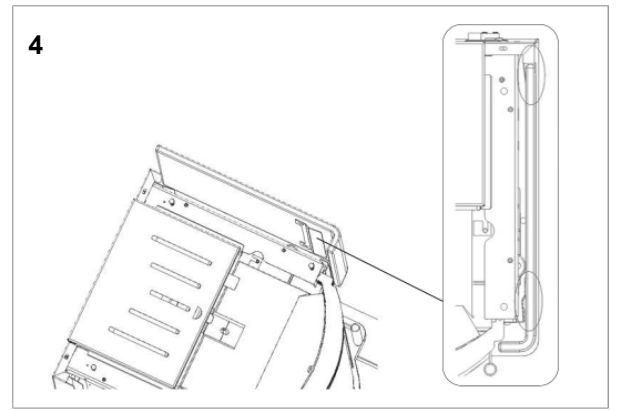
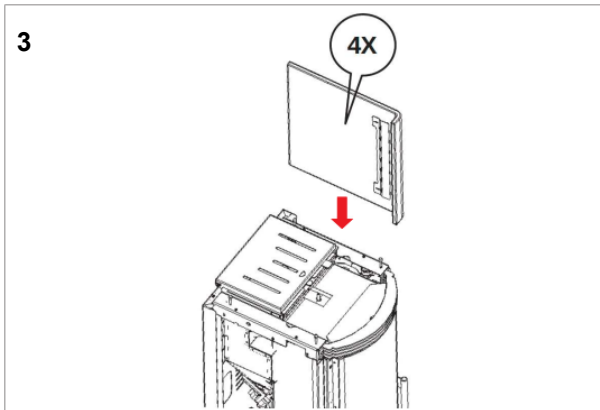
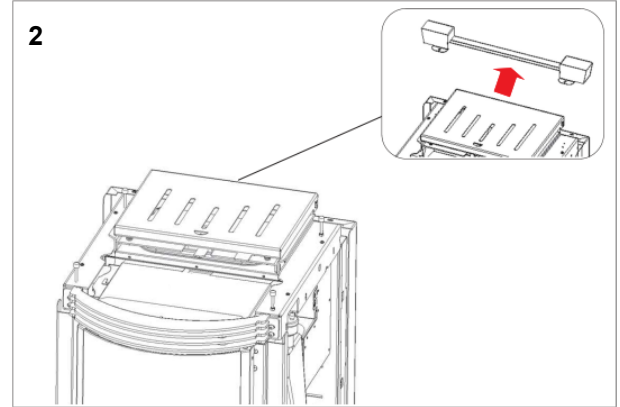
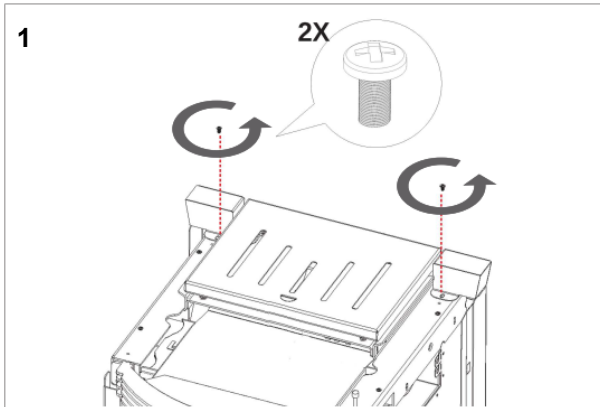
7 (STONE)



8 (STONE)

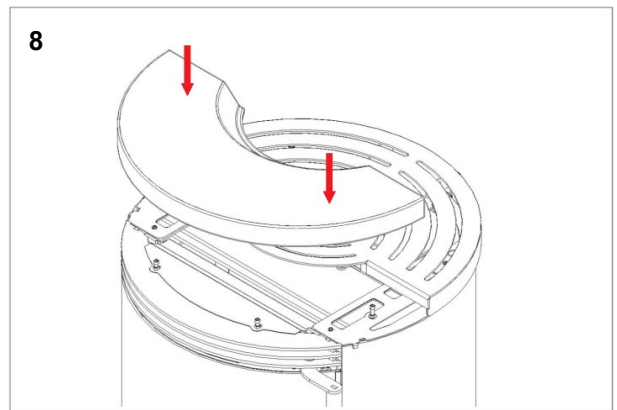
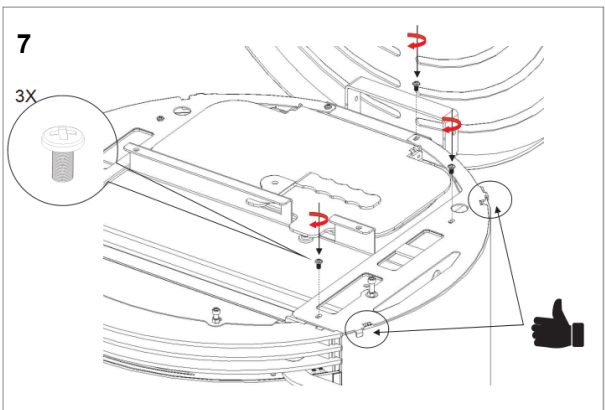
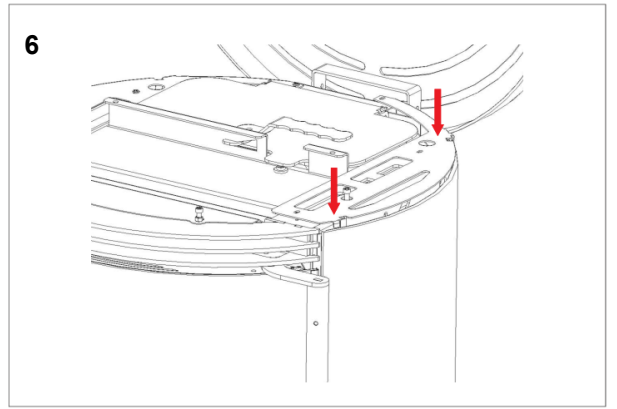
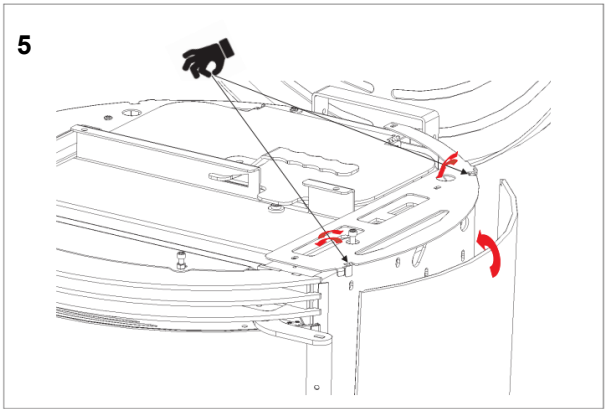
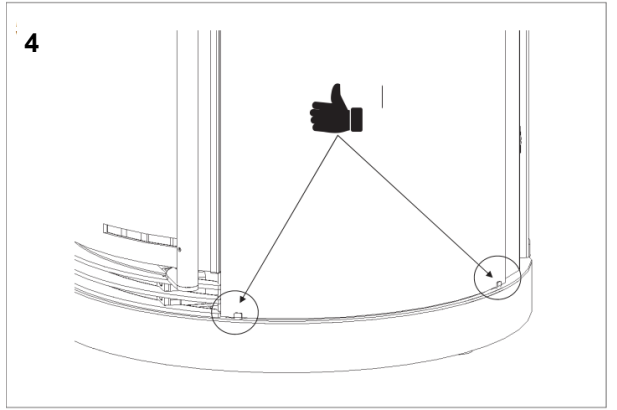
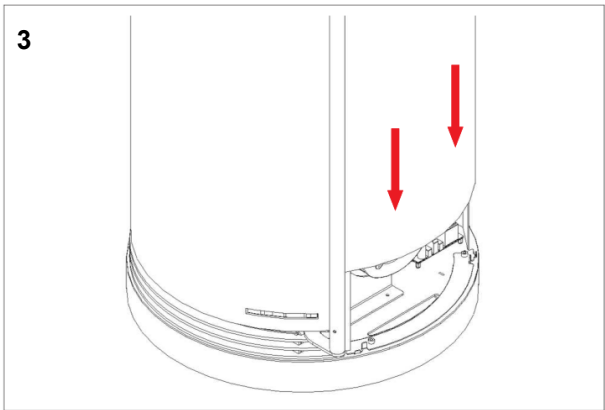
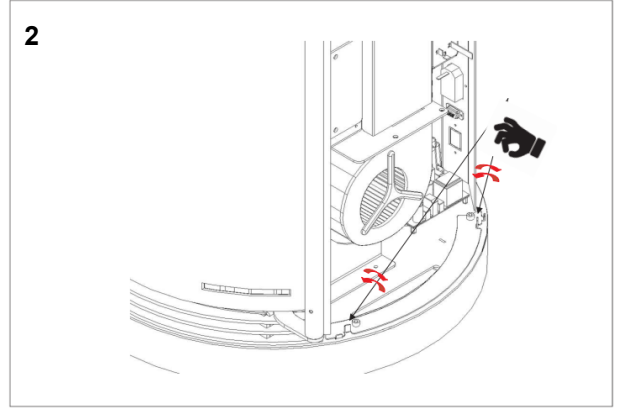
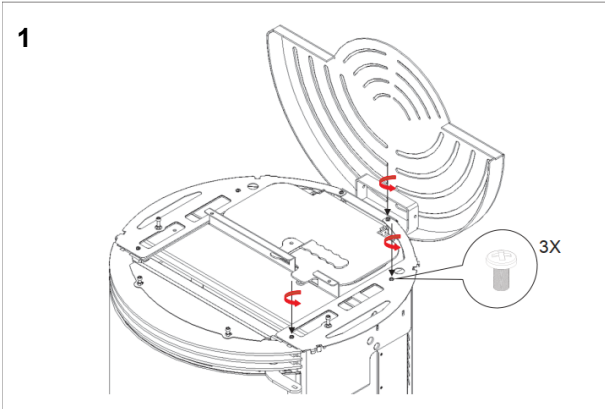


16 - ASTHETIC COMPONENT ASSEMBLY - ELEGANCE WOOD ALL STYLE





16 - ASTHETIC COMPONENT ASSEMBLY - ERGONOMIC WOOD GLASS







# MORETTIDESIGN

SEDE ED EXPO':  
Contrada Tesino 50  
63065 Ripatransone (AP)  
ITALY  
Tel. +39 0735 90444  
[www.morettidesign.it](http://www.morettidesign.it)  
[info@morettidesign.it](mailto:info@morettidesign.it)

The Moretti Design assumes no responsibility for any errors in this manual and the right to modify without notice features of its products.