

MORETTI DESIGN SIGN

WOOD



MONODESIGN 60 - 70 - 80 - 90 - 120

LATODESIGN 60 R - 60 L

LATODESIGN 90 R - 90 L

TRIODESIGN 90

USE AND MAINTENANCE MANUAL

TABLE OF CONTENTS

1 - Introduction	2
2 - General warnings	2
3 - Warranty conditions	3
4 - Technical and dimensional characteristics	4
4.1 Technical characteristics	4
4.2 Technical Drawings	6
5 - Safety warnings	9
6 - Product identification and technical characteristics	10
7 - Installation	10
7.1 Waste disposal	10
7.2 Unpacking and sliding unit movement	10
7.3 Minimum safety distances	11
7.4 Flue pipe connection	12
7.5 The chimney	13
7.6 Air intakes	14
7.6.1 Natural convention air intake (OPTIONAL art. MORKRX)	14
7.6.2 Primary air intake (OPTIONAL art. MORKERM)	15
7.6.3 Intakes for heating air	15
7.6.4 Decompression nozzle	15
7.7 Installation of ventilation kit (OPTIONAL item MORKV720)	16
7.7.1 Assembly phases	16
7.7.2 Centrifugal fan	19
7.7.3 Air grilles	19
7.7.4 Hot air ducting	20
7.7.5 Control unit	20
7.7.6 Installation of thermostatic probe	21
7.7.7 Control unit electrical connections	21
7.8 Positioning of the fumes deflectors	21
7.8.1 Removing the upper deflectors	24
8 - Use and maintenance of the firebox	25
8.1 Recommended fuels	25
8.2 Air registers	26
8.2.1 Combustion air register - FIRE TECH MODE	26
8.3 First ignitions	27
8.4 Sliding door adjustment	28
8.5 Daily use	30
8.6 Cleaning and Maintenance	30
8.6.1 Daily operations	30
8.6.2 Cleaning of the fire pit	31
8.6.3 Cleaning of the glass	31
8.6.4 Supplied keys (cold hand)	32

1 - INTRODUCTION

Dear customer, thank you for choosing a MORETTI DESIGN product, a cutting-edge product in the field of wood-burning fireplaces for heating. The great attention to detail during the design phase, the use of advanced technology, the quality of the materials and the extreme care taken during the processing phase, are the best guarantee of an efficient, functional, safe and suitable product to fully meet your heating needs.

Moretti DESIGN vented fireboxes are made in compliance with current standards, in accordance with the provisions of the EN 13229 directive, using certified components, checking the appliance for safety and functionality, and carrying out the checks required by law. Moretti is in line with European legislation that allows each product to bear the CE marking.

For a correct installation of the appliance, for its optimal and safe use and for suitable maintenance, we invite you to read this manual very carefully, paying particular attention to the warnings below.

2 – GENERAL WARNINGS

This manual has been created to ensure the safe and simple use of the appliance and constitutes an integral part of the MORETTI DESIGN air fireplaces. It is therefore recommended to keep it carefully and always near the appliance so that it may be consulted when necessary. In case of loss or damage, please request a replacement copy from your authorized dealer.

Installation and maintenance must be carried out by qualified personnel in compliance with all applicable laws and regulations. All local regulations, including those referring to national and European standards, must be strictly followed during both installation and use of the appliance.

Special care must be taken during the installation process, strictly following the instructions provided in this manual. The installer is fully responsible for the correct and complete installation, as well as for the proper functioning of the installed product.

For normal fireplace operation, the user must carefully follow all instructions outlined in this manual. To begin, it is important to note the following:

- The fireplace must not be installed in environments such as garages, storage rooms for combustible materials, fire-hazard areas, explosive atmospheres, or rooms containing liquid-fuel heaters that draw combustion air from the same environment. Installation is also prohibited in rooms with **type B gas appliances** used for heating.
- The air fireplace must not be used as an incinerator or for any other purpose than that for which it was designed. No fuels other than those specifically recommended in this manual are to be used. The use of **liquid fuels is strictly forbidden**.
- Certain parts of the fireplace, especially the glass front, may become extremely hot during operation and can cause serious burns on contact. For this reason, a special handle is provided with the fireplace for operating the door and control levers. In the absence of this handle, use an appropriate heat-resistant glove.
- The appliance must not be used by children or persons with reduced physical, sensory, or mental capabilities unless properly supervised and instructed on its safe use by a person responsible for their safety. Children must be supervised to ensure they do not play with the appliance.
- No unauthorized modifications may be made to the appliance. Only original spare parts recommended by the manufacturer must be used.

MORETTI FIRE S.r.l. accepts no responsibility for the failure of the customer or installer to comply with the guidelines, obligations, and prohibitions outlined in this manual. The manufacturer is not liable for any damage to persons, animals, or property resulting from improper installation, incorrect or careless maintenance, or misuse of the product contrary to its intended purpose.

3 – WARRANTY CONDITIONS

The consumer (end-user for private purposes) is entitled to the rights provided under the Italian Consumer Code – Legislative Decree 206/2005, Articles 128–135 (implementing EU Directive 1999/44/EC of 25/05/1999). This warranty does not affect those statutory rights in any way.

The company warrants the product, **excluding parts subject to normal wear and tear**, for a period of **two (2) years** from the date of purchase, as evidenced by:

- A valid proof of purchase (invoice and/or receipt) showing the seller's name and the date of sale;
- Product registration on the website: www.morettidesign.it/registrazione-prodotto/

In addition, to ensure that the warranty is valid and effective, the product must be **installed and commissioned correctly by qualified personnel**. When required, the installer must provide the user with a **certificate of conformity** and a statement of **proper operation**.

If any conformity defects are discovered within two (2) years of purchase, the seller undertakes to repair the product. The product will be restored to conformity within a reasonable period, considering the nature of the item, the intended purpose, and the necessary repair method.

The right to warranty claims **does not apply** in the following cases:

- Failure to comply with installation and usage instructions;
- Accidental damage or negligence on the part of the buyer;
- Modifications or repairs performed by unauthorized personnel;
- Improper or insufficient maintenance;
- Use or storage in environmental conditions outside the product's specifications;
- Damage resulting from electrical system faults, weather events, or any external factors;
- Use with accessories not supplied or approved by the seller, or with parts not designed for the product.

The following are excluded from the warranty:

- Parts and materials subject to wear or tampering;
- Masonry or construction work of any kind, including dismantling or reassembly of the unit;
- In the event of malfunction, the fireplace will not be replaced but repaired.

MORETTI DESIGN declines all responsibility for incorrect installation, tampering, or unauthorized interventions.

Non-compliant installations, improper use, or failure to carry out maintenance as specified by the manufacturer **will void the warranty**.

Items NOT Covered by Warranty

- Iron and vermiculite deflectors
- Glass
- Thermostatic probe
- Centrifugal fan
- Cast iron plates
- Ceramic refractory
- Control unit (if opened or tampered with)
- **Labour of any kind**

4 - TECHNICAL AND DIMENSIONAL CHARACTERISTICS

4.1 Technical Characteristics

Description	U.M.	MONODESIGN					LATODESIGN				TRIODESIGN 90
		60	70	80	90	120	60 R	60 L	90 R	90 L	
Thermal power input	kW	19,50	21,80	23,00	24,60	24,60	19,50	19,50	24,60	24,60	24,60
Nominal thermal power	kW	17,00	19,00	20,00	21,40	21,40	17,00	17,00	21,40	21,40	21,40
Yield	%	87,00	87,00	87,00	87,00	87,00	87,00	87,00	87,00	87,00	87,00
CO (13% O ₂) at nominal power	mg/m ³	290,00	498,00	498,00	498,00	498,00	290,00	290,00	498,00	498,00	498,00
Exhaust gas temperature	°C	198,10	210,30	216,40	225,00	225,00	198,10	198,10	225,00	225,00	225,00
Primary particulate (13% O ₂)	mg/m ³	10,0	15,0	15,0	15,0	15,0	10,0	10,0	15,0	15,0	15,0
NOx (13% O ₂) at nominal power	mg/m ³	79,00	79,00	79,00	72,00	72,00	79,00	79,00	72,00	72,00	72,00
OGC (13% O ₂) at nominal power	mg/m ³	19,1	29,0	29,0	29,0	29,0	19,1	19,1	29,0	29,0	29,0
Lena consumption	Kg/h	4.59	5.15	5.43	5.81	5.81	4.59	4.59	5.81	5.81	5.81
Forced draft	Pa	10	10	10	10	10	10	10	10	10	10
Weight	Kg	230	245	280	280	290	210	210	280	280	300
Fumes outlet tube	mm	202	202	202	202	202	202	202	202	202	202
Primary air inlet duct	mm	80	80	80	80	80	80	80	80	80	80
DEC. 186	-	5 Stars	5 Stars	5 Stars	5 Stars	5 Stars	5 Stars	5 Stars	5 Stars	5 Stars	5 Stars
Eco Design	-	A+	A+	A+	A+	A+	A+	A+	A+	A+	A+
Fuel		WOOD LOGS									
Minimum distance from flammable and non-flammable materials	Lateral mm	450	450	450	450	450	450	450	450	450	450
	Front mm	800	800	800	800	800	800	800	800	800	800
	Rear mm	450	450	450	450	450	450	450	450	450	450

WARNING:

For installation **without a ventilation kit**, the flue must be positioned at a minimum height greater than or equal to **21 cm** between the support surface and the fire surface. (see page 5)

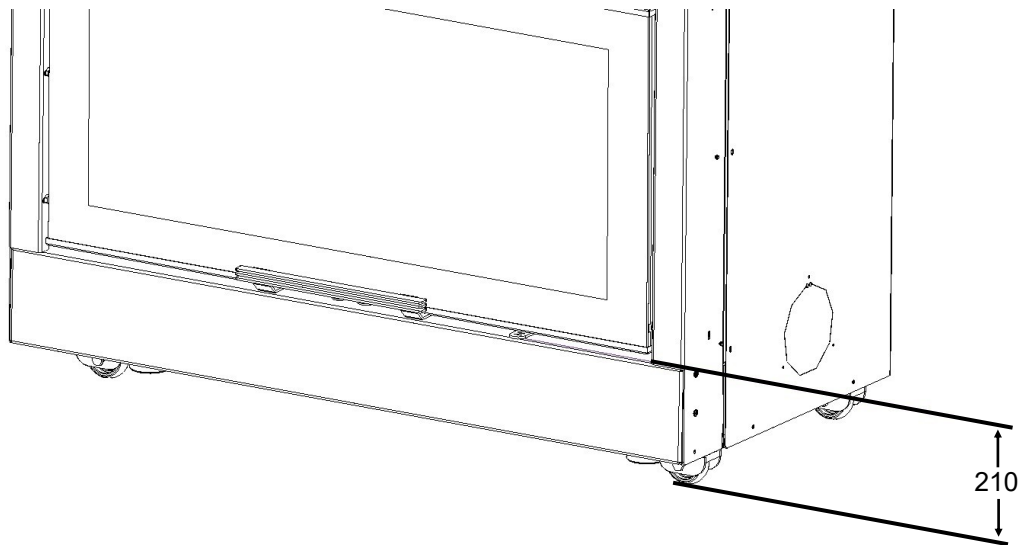
VENTILATION KIT ART. MORKV720 (OPTIONAL)

Description	U.M.	MONODESIGN					LATODESIGN				TRIODESIGN 90
		60	70	80	90	120	60 R	60 L	90 R	90 L	
Nominal electrical power	kW	75	75	75	75	75	75	75	75	75	75
Nominal voltage	V	230	230	230	230	230	230	230	230	230	230
Nominal frequency	Hz	50	50	50	50	50	50	50	50	50	50

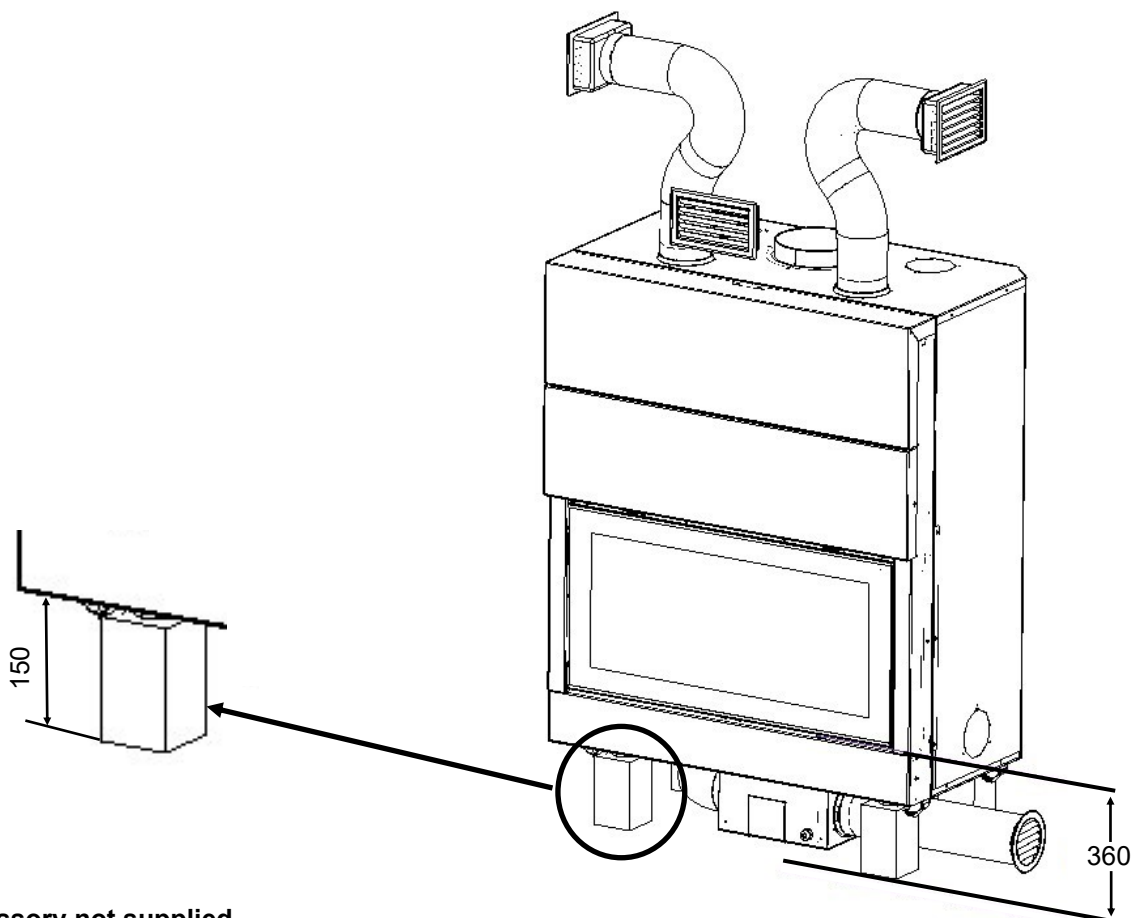
WARNING:

For the installation of the **ventilation kit**, MORKV720 (optional), the flue must be positioned at a minimum height greater than or equal to **36 cm** between the support surface and the fire surface. (see page 5)

**MINIMUM DISTANCE WITHOUT INSTALLATION OF VENTILATION KIT
(WITH STANDARD FOOT)**



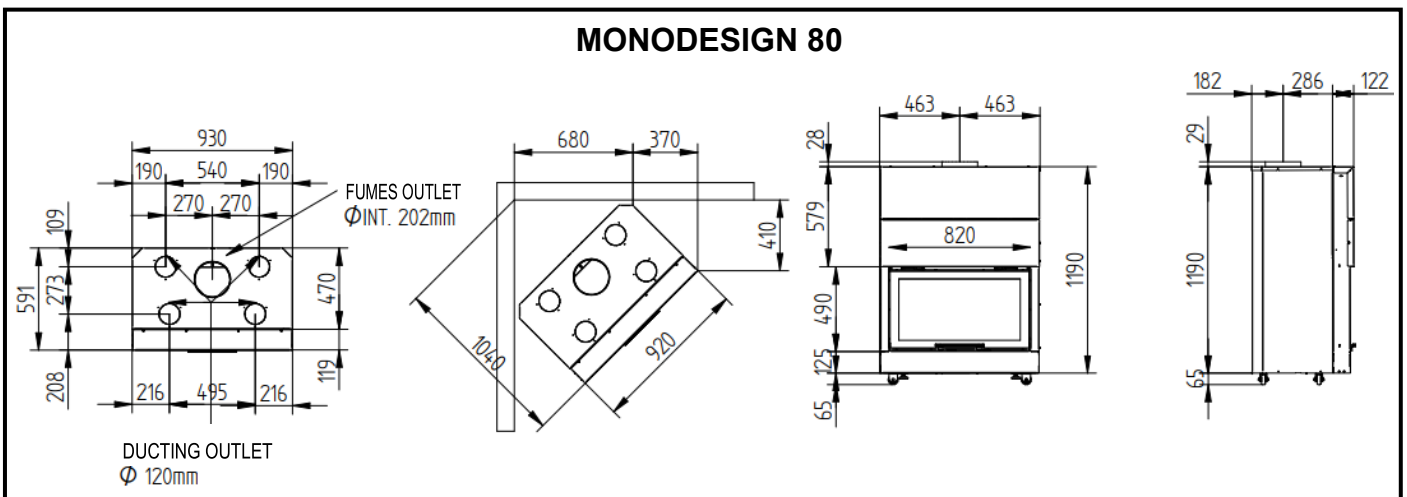
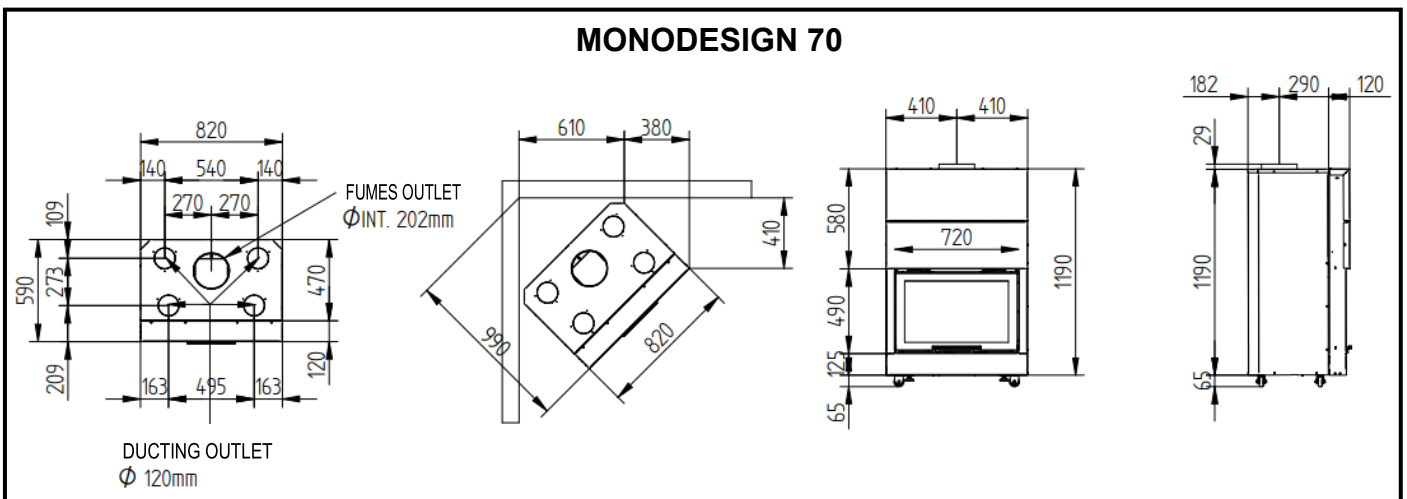
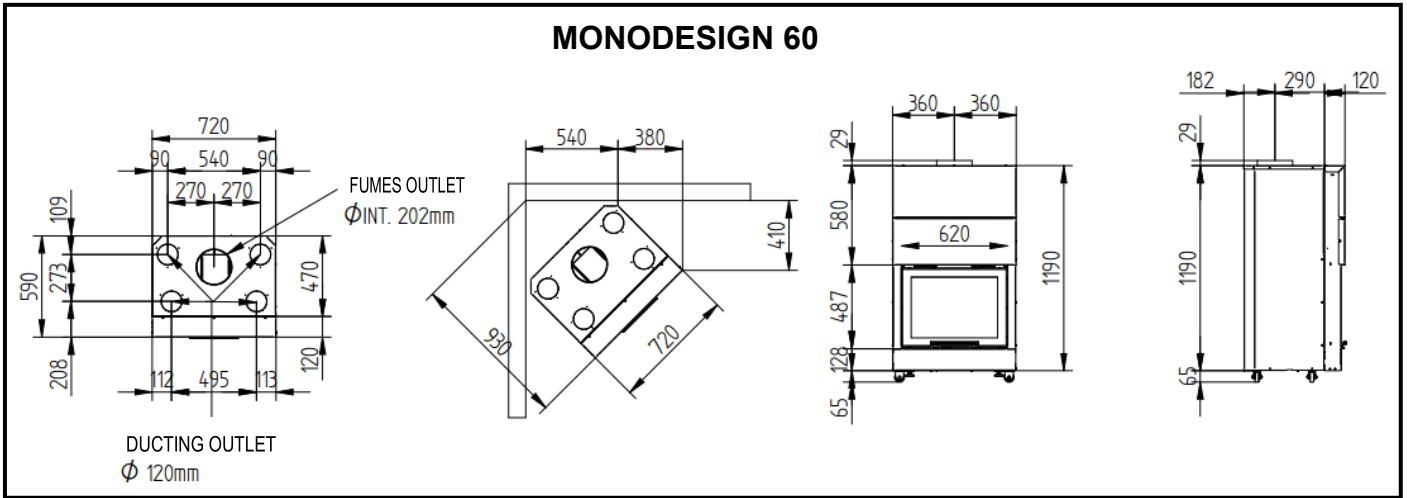
**MINIMUM DISTANCE WITH VENTILATION KIT INSTALLATION
ART. MORKV720 (OPTIONAL)**



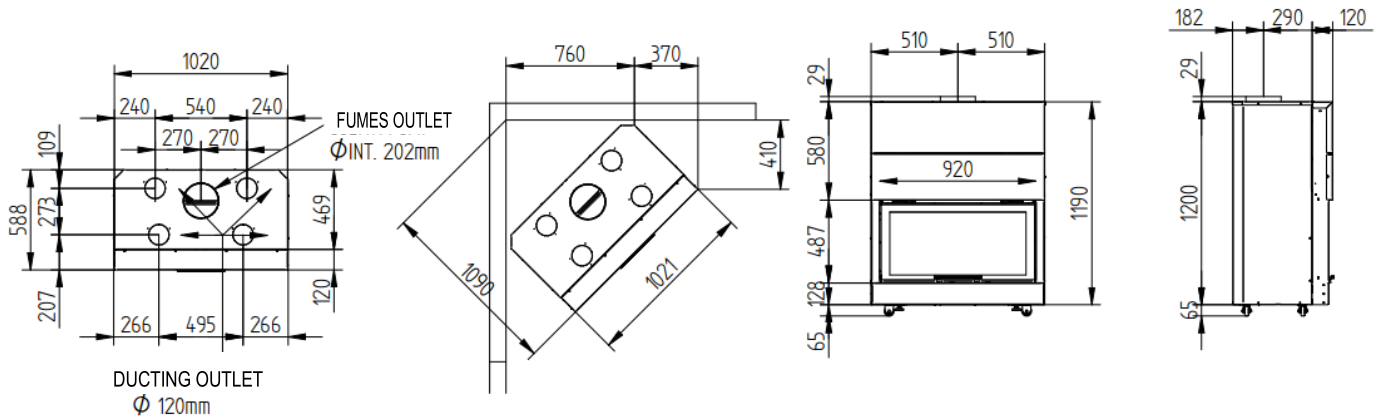
Accessory not supplied.

Place a thickness of the height of 150 mm (optional latoFOOT e monoFOOT) to position the MORKV720 ventilation kit box

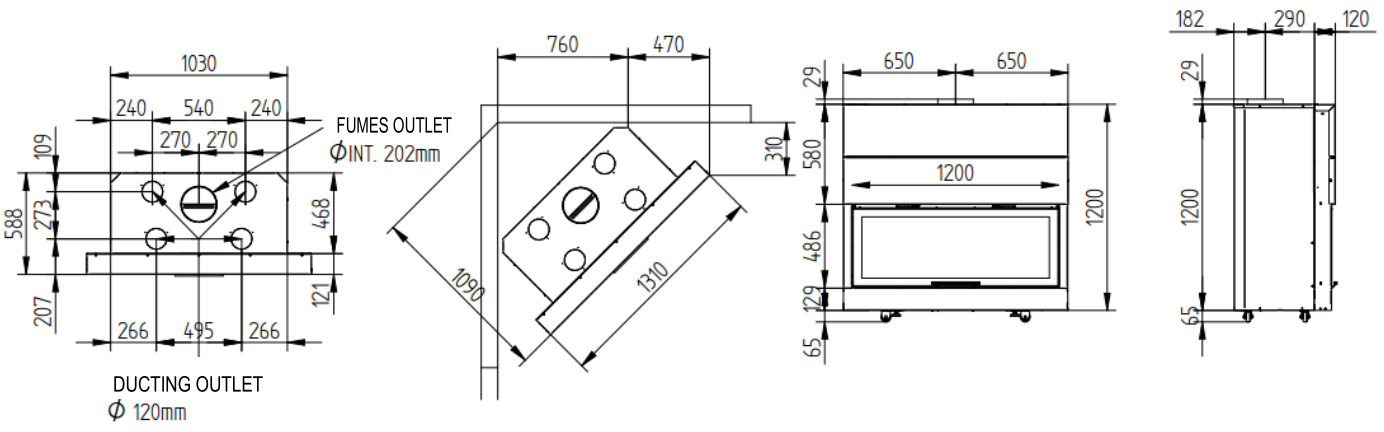
4.2 Technical drawings



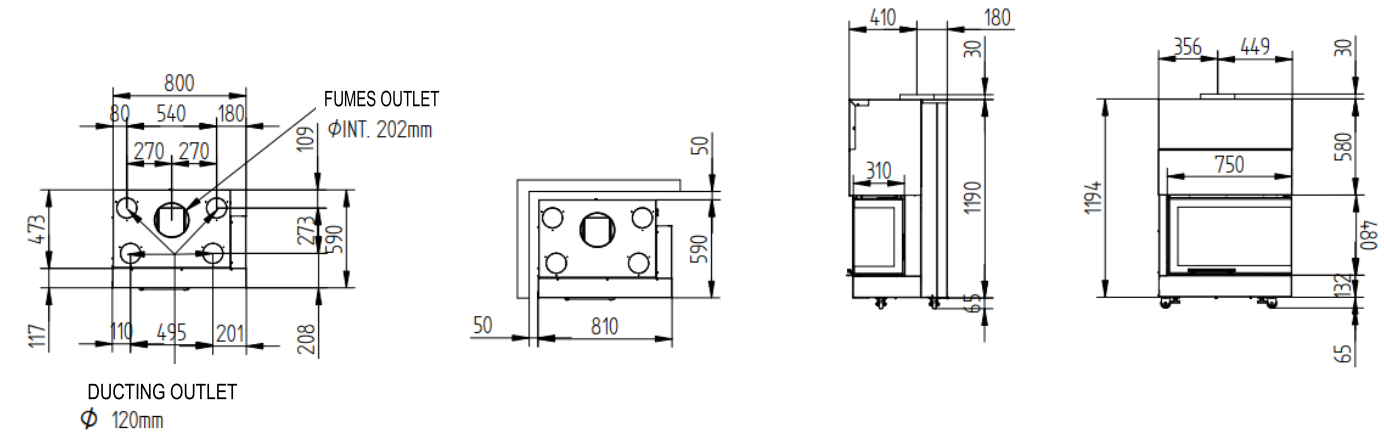
MONODESIGN 90



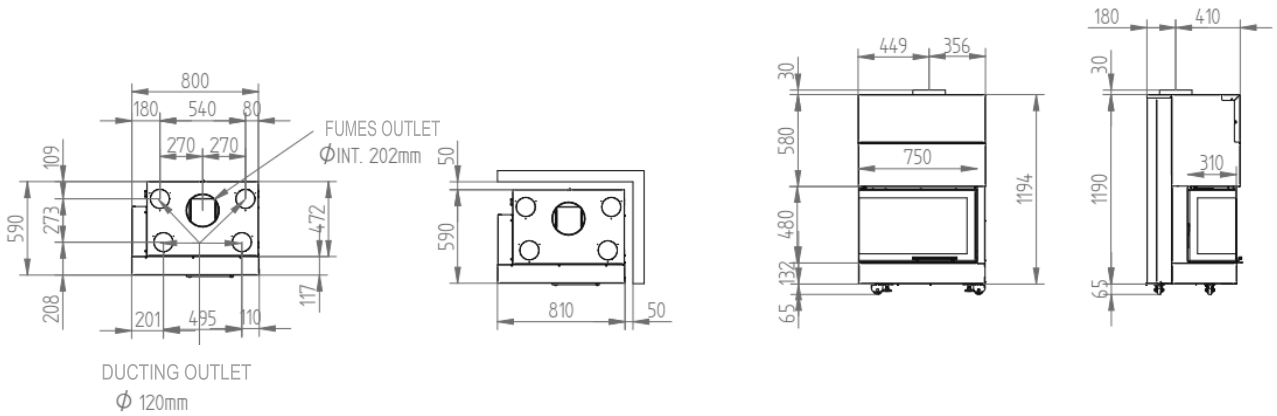
MONODESIGN 120



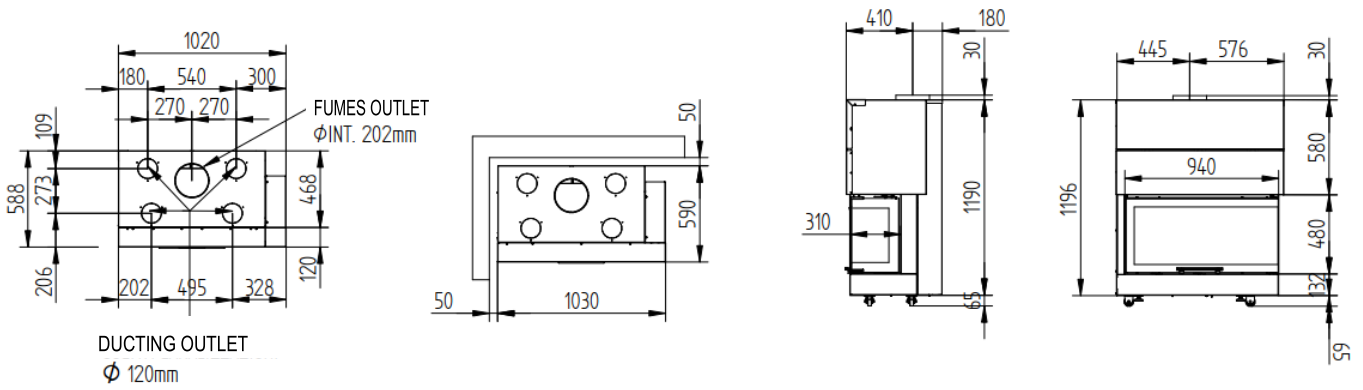
LATODESIGN 60 R



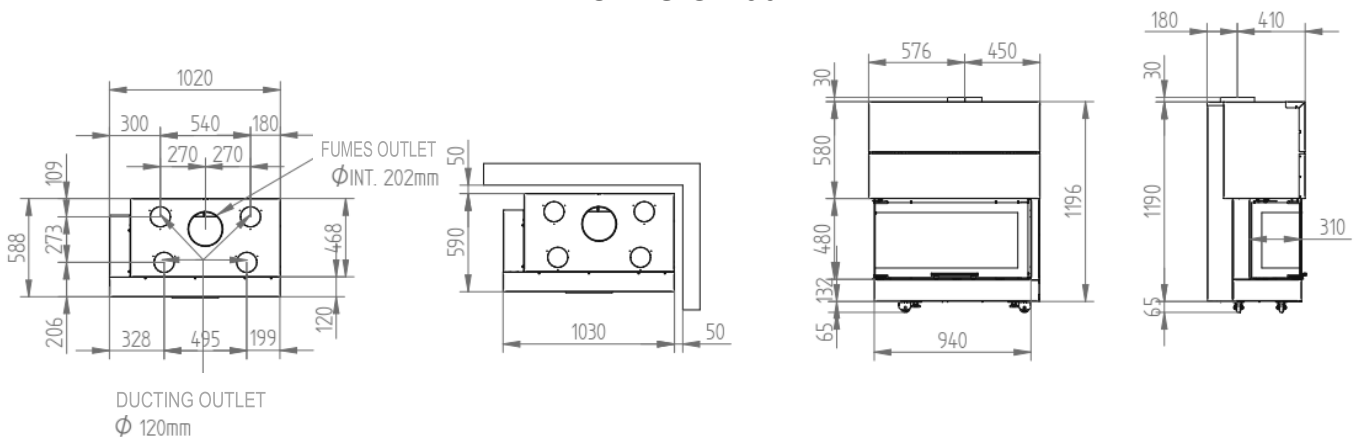
LATODESIGN 60 L

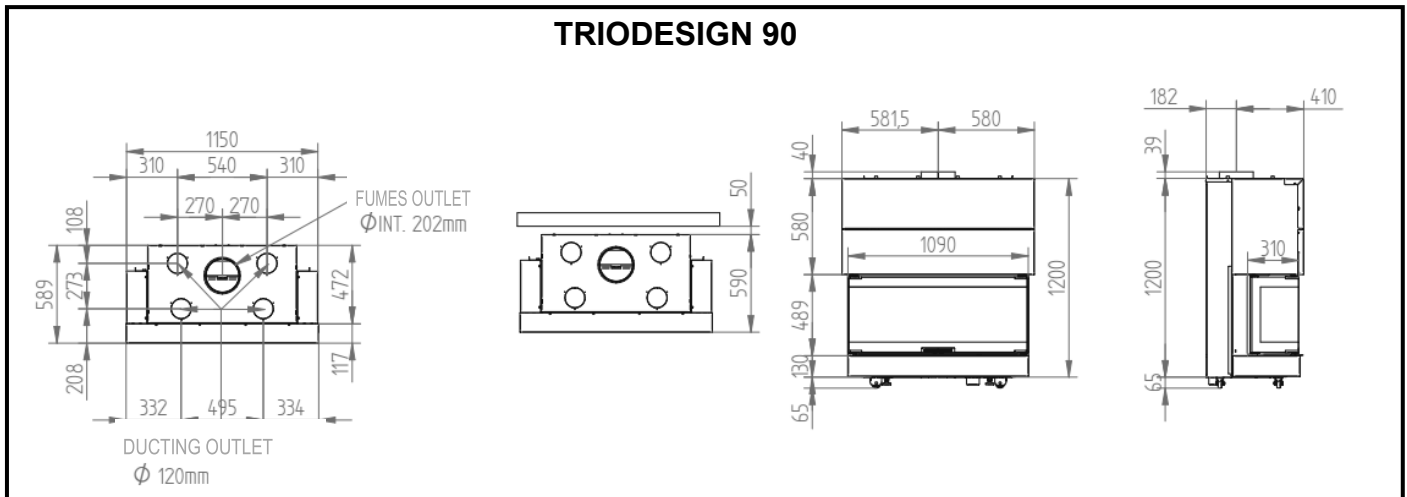


LATODESIGN 90 R



LATODESIGN 90 L





5 - SAFETY WARNINGS

1. **WARNING!!!** For the correct use of this appliance and its electrical components, the instructions given in this manual must always be observed.
2. **WARNING!!!** This appliance CANNOT be used on a shared flue
3. **WARNING!!!** Installation, electrical connections, verification of operation, maintenance and repairs are operations that must be carried out exclusively by qualified personnel
4. **WARNING!!!** This appliance must only be used for the purpose for which it was designed and built.
5. **WARNING!!!** In the event of a fire in the flue, it is necessary to turn off the appliance, closing the combustion air intake and calling the Fire Department, then also check that the smoke channel and the flue have no visible damage. Perform a repair before reactivating the combustion plant.
6. **WARNING!!!** During combustion, the fireplace door can only be opened when there is an embers bed and not on a high flame to avoid fumes leaking into the environment.
7. **WARNING!!!** It is important not to light the fire near the glass to avoid its deterioration (whitening). It is advisable to always stay inside the log guard.
8. **WARNING!!!** Never use flammable liquids (alcohol, nitro or gasoline) to accelerate the ignition of a wood fire: it is extremely dangerous. Alcohol or petrol vapours can easily catch fire and run the risk of serious burns.
9. **WARNING!!!** It is not allowed to load a greater weight of wood into the combustion chamber that what is indicated in paragraph 4.1 (technical characteristics).
10. **WARNING!!!** During operation, some surfaces of the appliance may reach high temperatures, therefore it is advisable to take the appropriate precautions especially in the presence of children, the elderly and the disabled.
11. **WARNING!!!** Refractories inside the combustion chamber may turn black during ignition and in the first hours of operation, they will clean up later during normal operation.
12. **WARNING!!!** It is forbidden to wash the product with jets of water.
13. **WARNING!!!** The door should be opened slowly, holding it in place for a few seconds as soon as it is lifted before fully opening.
14. **WARNING!!!** Unpleasant smells may occur during the first lighting of the fireplace. Air the room for a few hours.
15. **WARNING!!! It is forbidden** to operate the appliance with the door open, without the glass or with the damaged glass to avoid accidental smoke leakage into the environment.

6 - PRODUCT IDENTIFICATION AND TECHNICAL CHARACTERISTICS

The standard range of MORETTI DESIGN vented burners includes 14 different models. To allow the identification of the model and the related technical data, a plate like the one shown below is placed on each firebox.

The plate is located on the upper side of the sliding unit front, and contains the model identification code, the serial number, the main technical data, the minimum safety distances and the reference regulations.

To avoid that, once the covering of the firebox has been installed, the absence of inspections makes it difficult for the end user to read the serial number (useful for example during maintenance by the technical assistance for any order of spare parts), it is advisable to note the serial number and the identification code of the model on the manual.

It is absolutely forbidden to modify or alter the identification plate in any way.

MORETTIDESIGN		
CE	MATRICOLA	
22	12345678	
MONODESIGN		
APPARECCHIO PER RISCALDAMENTO DOMESTICO ALIMENTATO A CIOCCHI DI LEGNO		
Moretti fire s.r.l.	POTENZA TERMICA INTRODOTTA	kw
C.da Tesimo 58	POTENZA TERMICA NOMINALE	kw
Ripatransone 63065 (AP)	RENDIMENTO A POTENZA NOMINALE	%
ITALY	CO (13% O ₂) A POTENZA NOMINALE	mg/m ³
www.morettidesign.it	TEMPERATURA DEL GAS DI SCARICO	°C
EN 13229:2001	CO ₂ (13% O ₂) A POTENZA NOMINALE	mg/m ³
	OGC (13% O ₂) A POTENZA NOMINALE	mg/m ³
Distanze minime da materiali infiammabili	DEC. 196	
LATERALE	ECO DESIGN	
FRONTALE	PESO	kg
POSTERIORE	ISTITUTO GIORDANO S.P.A.	
SUPERIORE		
LEGGERE E SEGUIRE LE ISTRUZIONI D'USO	DOP N°	
	CERTIFICATO N°	
Usare solo combustibili raccomandati	Combustibile raccomandato: CIOCCHI DI LEGNO	

7 - INSTALLATION

Before installing the firebox, it is essential to check the load capacity of the floor. The appliance must be mounted on flooring with adequate bearing capacity and if an existing construction does not meet this preliminary condition, appropriate measures must be taken (for example, placing the firebox above a load distribution plate). To check the weight of the firebox, refer to the data shown on the identification plate, or to the table containing the technical specifications in Appendix I of this manual.

All local regulations, including those referring to national and European standards, must be respected at the time of installation of the appliance. The firebox must be installed by qualified and authorised personnel, in compliance with Ministerial Decree no. 37 of 22 January 2008.

Before installing the firebox, make sure that the chosen place meets the characteristics required by the manufacturer, which will be indicated below, and by current regulations with particular reference to minimum safety distances.

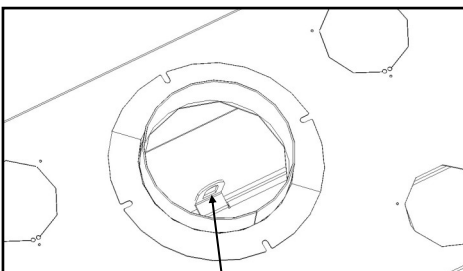
7.1 - WASTE DISPOSAL

The products that make up the packaging are neither toxic nor harmful, therefore they do not require particular disposal processes. The management of packaging residues, which may include storage, disposal or possibly recycling, will be the responsibility of the user, in accordance with the regulations in force in the countries where the operation is carried out.

Warning: do not leave the elements of the packaging within reach of children because they are potential sources of danger.

7.2 - UNPACKING AND SLIDING UNIT MOVEMENT

At the time of delivery, the firebox is anchored on a wooden pallet and wrapped in a heat-shrinking nylon cover. The firebox is equipped with 1 (one) hook that allows the insertion of a carabiner for lifting and moving from the ground (fig. 1); the chains or any accessories used for this type of movement must be suitable to support the weight of the firebox.



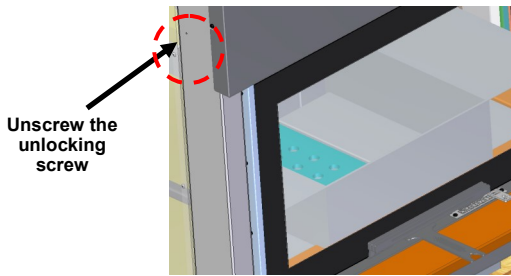
Hooking hole

Fig. 1

All handling operations must be carried out by two or more persons, in accordance with current regulations, and with suitable means. It is recommended to carry out each procedure with extreme caution (do not tilt to avoid tipping, perform slow and gradual movements, etc.), making sure that there are no unskilled persons in the range of action.

Sliding unit movement

To enable the closure of the lift-up door, **unscrew the door locking screw** (fig. 2) — *only on models: MONODESIGN 60, 70, 80, 90, 120; LATODESIGN 60 R - L, LATODESIGN 90 R - L.*



LATODESIGN 90 R

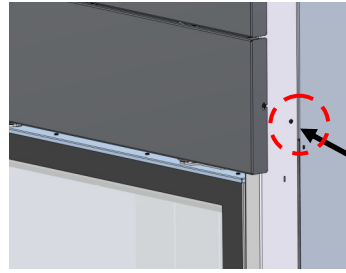


Fig. 2 MONODESIGN

In **Monodesign models**, the door counterweight lock is located on the side columns of the fireplace front and is secured using one screw per side.

In **Latodesign models**, the door counterweight lock is located on the column opposite the glass side of the fireplace front and is secured using a single screw.

In the **Triodesign 90 model**, there is no door counterweight lock, as the door is stabilized by a three-sided locking system using a vacuum-formed plastic support bag.

The door locking screw is designed to prevent glass damage due to vibrations during transport. Its position is indicated by a dedicated label affixed to the fireplace.

Once the locking screw is removed, it is necessary to check the smooth vertical movement of the lift-up door.

In case of any issues with the door movement, refer to the door adjustment instructions on page 28.

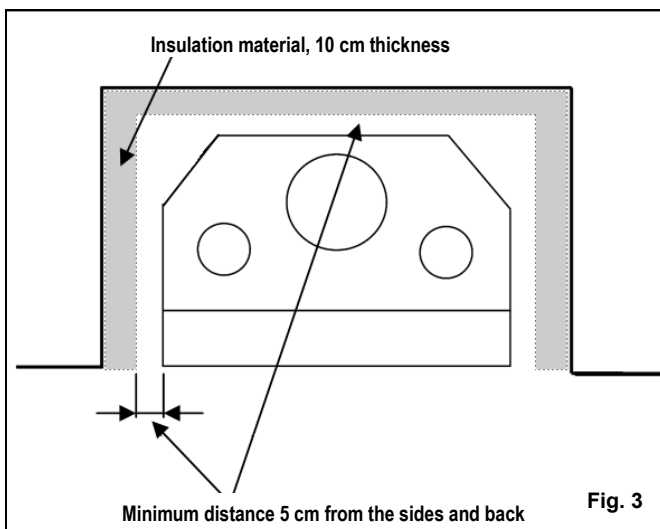
7.3 - MINIMUM SAFETY DISTANCES

When installing the firebox, it is mandatory to respect certain minimum safety distances. In particular:

- the firebox must always be installed at least **5 cm** from the surrounding walls;
- the flue must protrude about **20 cm** from the ceiling (if it is already present in the house);

In the event that the firebox is installed near flammable materials, the following minimum safety distances must be respected:

- **FLAMMABLE WALLS:** if you want to install the firebox near flammable walls, it is necessary to insulate the wall itself with an insulating material with a thickness of at least 10 cm (e.g. against a fireproof plasterboard wall with rock wool). The firebox must be placed at a distance of at least 5 cm from the fireproof wall;
- **FLAMMABLE CEILING:** if the ceiling is made of flammable material (e.g. wooden beams), it is necessary to create a false ceiling with thermal insulation that is at least 10 cm thick; the chimney must necessarily protrude about 20 cm from the false ceiling.
- **FLAMMABLE FLOOR:** if the floor is made of flammable material, it is necessary to insulate it with a thickness of non-flammable material of about 3 cm.



It is forbidden to place flammable objects (e.g. carpets, wooden furniture, flammable liquids, fire-lighting products, etc.) in the radiating area of the fireplace, i.e. within one metre of the sliding door.

It is forbidden to fix or place any type of material on the walls of the firebox (e.g. plasterboard, marble, adhesive tapes, etc.). It is absolutely forbidden to place, in any way, covering on the structure of the firebox, including the front of the appliance.

A minimum space of at least 5 cm must be left between the covering and the front of the firebox: this will allow the normal expansion of the fireplace structure over an open fire, thus avoiding damage to the covering and/or the firebox itself.

In the event that local, regional or supervening national regulations impose compliance with greater safety distances, or more stringent requirements in general, the installation must take place in compliance with the latter.

In any case, the responsibility for the works carried out in the firebox installation space is borne by the end user of the appliance, who is also entrusted with the verification of the proposed installation solutions.

Moretti Design srl is not responsible for damage to persons, animals or property resulting from failure to comply with the safety distances indicated above, or for installations that do not comply with local, regional, national and European regulations.

INSULATION CHARACTERISTICS:

- **Type:** light insulation plates in calcium silicate for high temperature
- **Density:** 245 Kg/m³
- **Thickness:** 10 cm
- **Fire incombustibility**

7.4 – FLUE PIPE CONNECTION

For connection to the flue system, it is recommended to use stainless steel pipes made in compliance with current regulations and with a maximum inclination of 45°.

The use of flexible metal ducts and/or fiber cement pipes for the flue connection is STRICTLY PROHIBITED.

It is recommended to use a stainless steel insulated flue pipe with insulation made from material resistant to temperatures of around 400 °C (high-density rock wool). Insulation using expanded clay is not permitted.

The flue must have sufficient height and cross-section to ensure optimal draft to discharge the combustion gases. A vertical layout must be maintained, minimizing the number of bends, which in any case must not exceed 45°. Avoid narrowings or changes in section that can generate turbulence and pressure loss. All joints between the various flue components must be airtight to ensure smoke-tightness.

The flue should preferably have a round cross-section to minimize pressure losses and facilitate the evacuation of fumes. If using a square or rectangular section, it is recommended that the corners be rounded, with a side ratio of 1.5:1. The internal walls must be smooth and impermeable, to avoid the accumulation of unburned materials and the absorption of condensation.

The ideal flue cross-section (about 10 Pascal) will vary based on several factors, including the height of the flue itself, the fireplace's output, the presence of bends, the length of any horizontal sections, and the altitude above sea level.

Connect the flue using stainless steel pipes with the same cross-section as the smoke outlet pipe (**see Technical Specifications in § 4.1**), making sure the joint is perfectly sealed.

Each flue system must serve a single appliance only.

Therefore, it is forbidden to connect the fireplace to a flue that is already used by other appliances.

Contact between the flue and flammable or combustible materials must be avoided, either through the use of suitable insulating materials, or by creating an air gap.

Check the chimney outlet on the roof: the flue must extend at least 50 cm above the roof ridge. In the case of adjacent flues, one chimney cap must rise at least 50 cm higher than the other.

WARNING:

In the event of a chimney fire, it is necessary to extinguish the fireplace and call the relevant authorities (Fire Department). After the fire has been extinguished, check that the flue system does not show visible damage. Do not restart the fireplace until the necessary repairs have been carried out.

INFO:

An oversized flue opening reduces flue gas velocity, increases the buildup of unburned substances on the walls, encourages the cooling of the gases, and the formation of acid condensation on the walls, significantly slowing down ignition and combustion.

Conversely, an undersized flue cross-section causes smoke to accumulate in the combustion chamber due to insufficient evacuation capacity, leading to flame extinction and combustion suffocation.

MORETTI DESIGN only guarantees materials of its own production and declines all responsibility if the instructions provided in this manual are not followed.

Refer to figures 3–4–5 and table 1 for the installation measurements of the flue system.

7.5 - THE CHIMNEY

The chimney allows the forced draft of the fireplace, that is, the evacuation of fumes. When we talk about the height of the chimney, we refer to the evacuation rings, excluding the size of the final rain cap.

A suitable dimensioning of the chimney is essential for a correct forced draft. In this regard, the useful outlet section of the chimney must not be less than twice the section of the flue pipe, while the internal section must be identical to that of the fireplace. The chimney must also be easily inspected in order to facilitate maintenance and cleaning.

The chimney is also intended to protect the flue pipe and the entire fireplace from rainwater and must be able to continue to perform its function even in the presence of wind from all directions. The images below show the correct positions of the chimney (Figures 3-4-5 and Table 1).

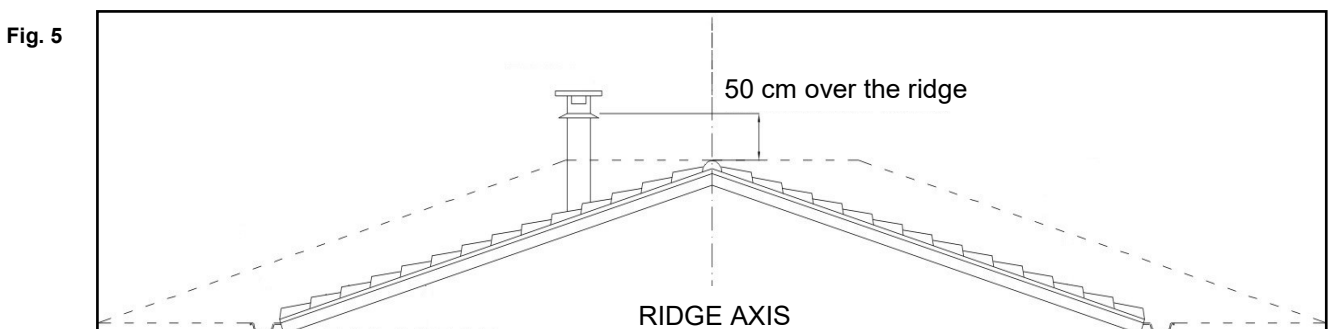
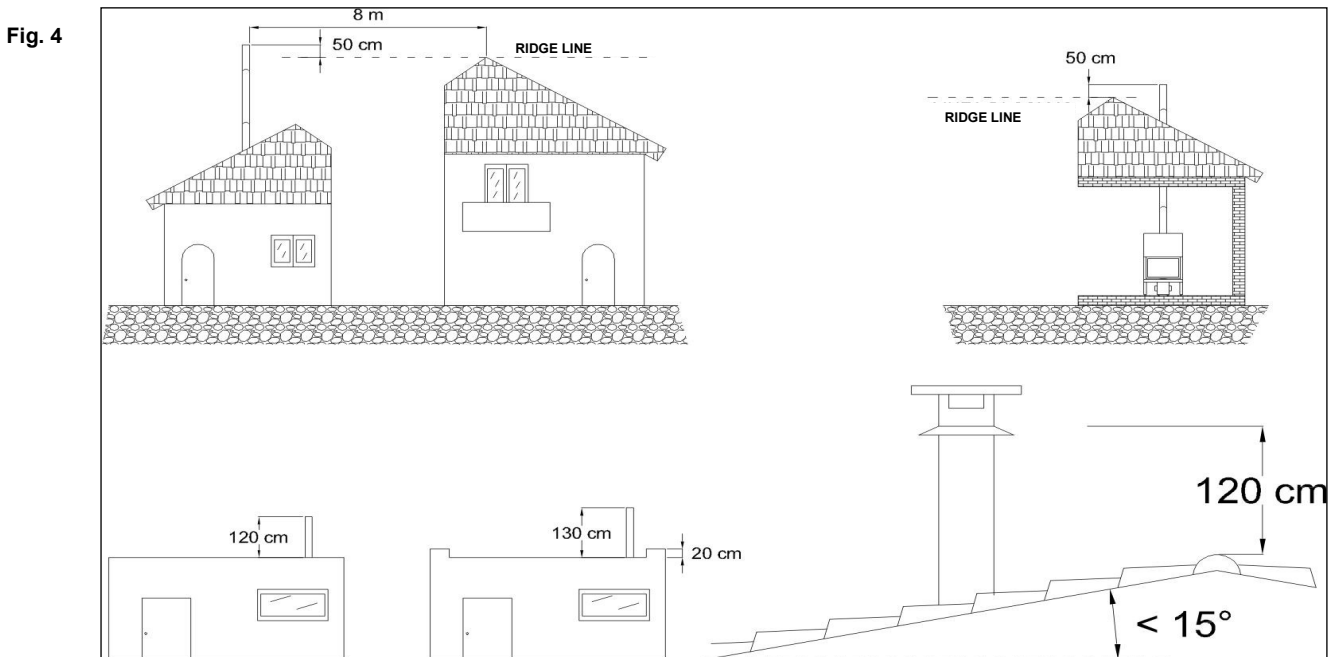
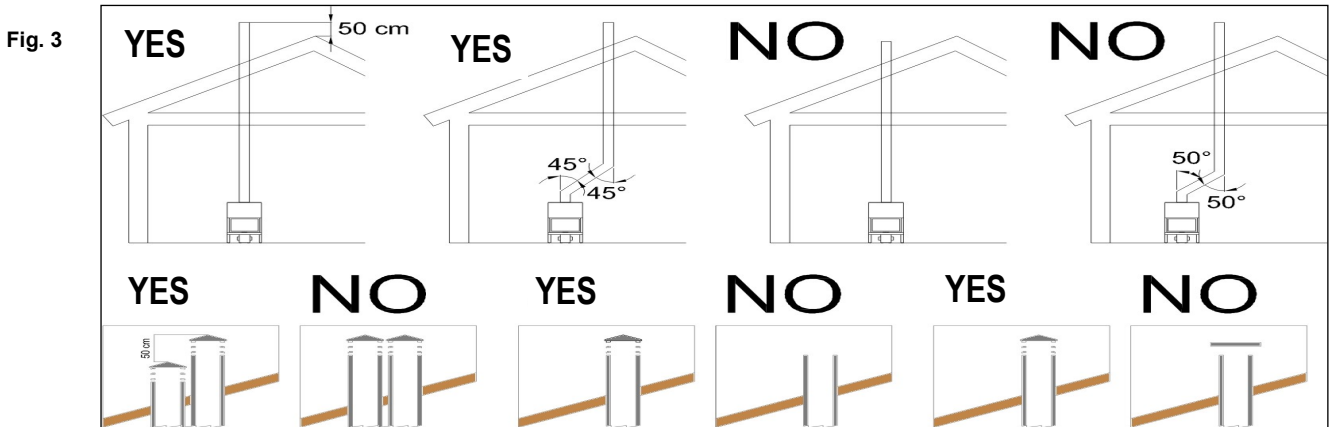


Table 1

α	A	H	Z
Roof slope	Distance between roof axis (ridge) and upstream side of the chimney	Minimum height outlet from the roof (h minimum)	Reflux zone height
15°	1,85 m	1,00 m	0,50 m
30°	1,50 m	1,30 m	0,80 m
45°	1,30 m	2,00 m	1,50 m
60°	1,20 m	2,60 m	2,10 m

7.6 - AIR INTAKES

7.6.1 - NATURAL CONVENTION AIR INTAKE

(OPTIONAL art. MORKRX)

General Requirements (Applicable Regulations)

In accordance with **UNI 10683:2012**, all biomass-fueled appliances (output ≤ 35 kW) must be equipped with **air inlets** to supply **combustion air** to the firebox, sized to ensure efficient and complete combustion. The lack of adequate external air supply can lead to:

- **Oxygen deficiency** in the installation environment, posing a potential **safety risk** for occupants;
- **Poor combustion**, leading to increased **pollutant emissions** (PM10, CO) and **difficulties in smoke evacuation**.

Appliance Functions

The unit is designed to perform two main functions:

- Generate heat through **natural convection** or **forced ventilation**;
- Supply **external combustion air** to ensure proper draft and safe operation.

System Description

There are **four Ø 120 mm air inlets**: two at the back and two on the sides. However, only **two inlets** must be used when installed in **natural convection mode** (see Figures 6 – 7).

Installation requires the creation of **two wall openings** communicating with the outdoors or a ventilated space.

The appliance should be positioned approximately **15 cm from the wall** or from protective structures if made of **flammable material**.

Height adjustment is performed using the **external feet**, which can be operated with a **17 mm hex wrench**.

Installation and Connections

- Insert the **two flexible aluminum ducts** into the prepared wall openings.
- Cut the ducts **flush with the outer wall surface**.
- Install the **PVC grilles** supplied over the ducts.
- Using the **original air inlets** ensures **energy efficiency** and **operational safety**.

Maintenance and Safety

Periodically check that the air inlets are **free from obstructions**. According to **UNI 10683** and this product manual, a **minimum free airflow area** must be guaranteed:

- $\geq 170 \text{ cm}^2$ for appliances using **natural convection**;
- $\geq 100 \text{ cm}^2$ for systems with **forced ventilation**.

Fig. 6 – Natural Convection – External Air Intake (Ø 120 mm) – Rear

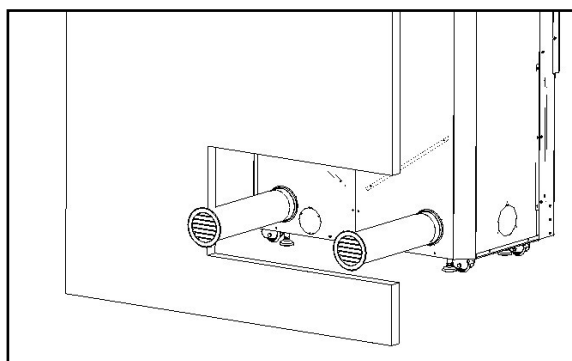
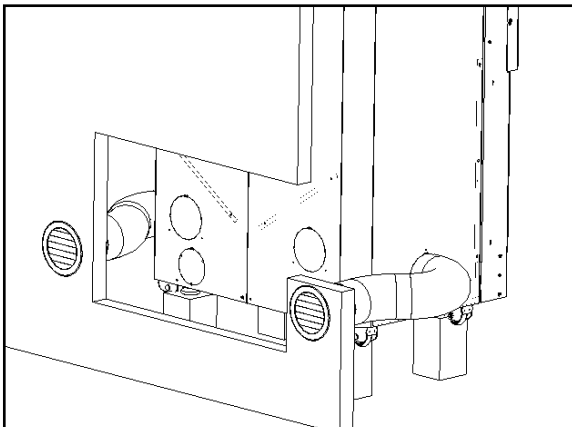


Fig. 7 – Natural Convection – External Air Intake (Ø 120 mm) – Side



Additional Regulatory Notes

- It is not permitted to discharge flue gases through the wall: the discharge must be carried out via a chimney flue up to the roof, according to UNI 10683.
- The chimney components must comply with UNI EN 1443.
- The installation rooms must ensure adequate ventilation in accordance with the technical documentation of the appliance.

7.6.2 - PRIMARY AIR INTAKE (OPTIONAL art. MORKERM)

The appliance can also be installed using only the primary air duct by making a 150 [mm] hole. It is also possible to install at the primary air inlet on the back of the appliance and connect a section of flexible aluminum duct with a diameter of 80 [mm] (Moretti Design product code **MORKERM**), securing it with a hose clamp. When performing this type of installation, remember to close the hole located at the bottom of the fireplace with the leftover cut-out piece of \varnothing 80 mm, as shown in figure 8.1.

Make two holes in the wall communicating with the outside or a sufficiently ventilated environment: one with a diameter of 80 mm (with the appropriate PVC grille) for the passage of the flexible duct and another with a diameter of 150 mm (with the appropriate PVC grille) inside the supporting structure (see figure 8).

Reference Standards

The installation must be carried out in accordance with the UNI 10683:2012 standard, which sets the requirements for the installation, inspection, and maintenance of appliances fueled by wood or other solid biofuels with a nominal thermal power \leq 35 kW. In particular, the standard requires that the combustion air supply comes exclusively from the outside or from a sufficiently ventilated environment, in order to ensure efficient and safe combustion.

Considerations on Draft

Excessive or insufficient draft compared to the manufacturer's specifications can compromise the proper functioning of the appliance, resulting in increased consumption, reduced thermal efficiency, high emissions, and potential overheating of the structure.

Safety Warnings

It is strictly forbidden to draw combustion air from environments such as garages, storage areas for combustible materials, fire-risk or explosive atmospheres, rooms with liquid-fuel heating appliances that draw combustion air from the same room, or rooms where type B gas appliances for heating are present. If the room where the appliance is installed contains extractor hoods or other ventilation fans, these must not be operated while the appliance is running. Otherwise, malfunctions or smoke leakage into the room may occur.

Conclusions

Proper installation of the primary air ducting is essential to ensure the safe and efficient operation of the appliance. It is crucial to strictly follow the manufacturer's instructions and applicable regulations to ensure optimal performance and the safety of the installation environment.

The information listed above is indicative, and the on-site technician installing the Moretti Design product is responsible for evaluating, together with the customer, the best installation solution to ensure the appliance operates in compliance with current regulations.

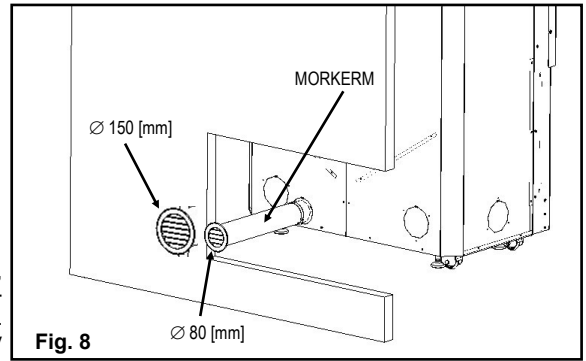


Fig. 8

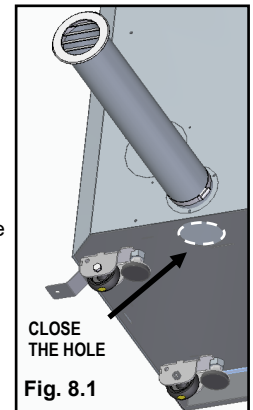


Fig. 8.1

7.6.3 – HEATING AIR INLETS – forced ventilation – (OPTIONAL art. MORKV720)

When the optional forced ventilation kit MORKV720 is installed, the motor box is equipped with two heating air inlets, each \varnothing 120 mm in diameter, located on the right and left sides (see figure 9-a).

Each inlet must be connected to the respective flexible aluminum ducts provided in the kit, secured with hose clamps.

If it is not possible to create a second external air intake, it is permitted to connect only one inlet of the motor box to an internal air source, while the other inlet must be sealed airtight.

This configuration is allowed only if the optional centrifugal fan is **not** installed.

Warning: The motor box inlets must never be left open or unconnected. Otherwise, there is a risk that combustion air (necessary for burning) will be improperly drawn in, compromising the correct functioning and safety of the fireplace.

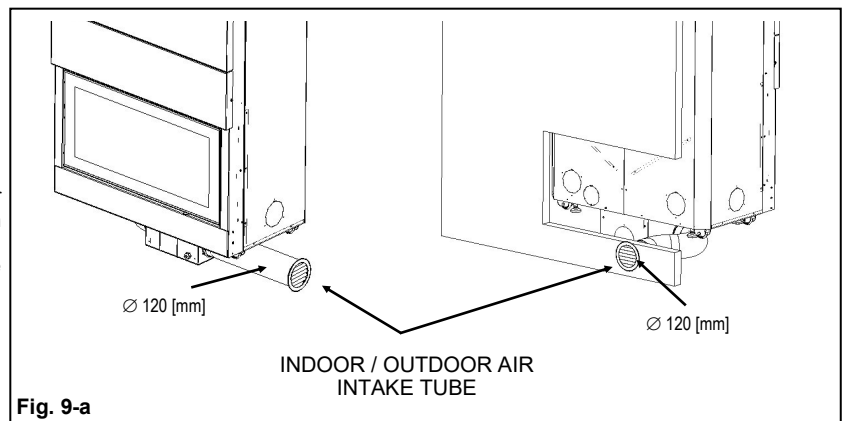


Fig. 9-a

7.6.4 – DECOMPRESSION VENT

In addition to the external air intake, it is **mandatory** to install a heat recovery grille—also known as a **decompression vent**—on the fireplace cladding.

This opening serves a dual purpose:

- Facilitates the release of hot air accumulated within the cavity of the cladding, preventing excessive overheating of the structure;
- Recovers heat that would otherwise go unused, providing additional warmth to the room.

The grille must be installed in the **upper part of the hood**, approximately **50 cm from the ceiling**, directly on the fireplace cladding.

It **must not** be connected to any duct or piping. (see figure 9-b)

Note: Proper positioning of the decompression vent is essential to ensure the fireplace's safety and thermal efficiency.

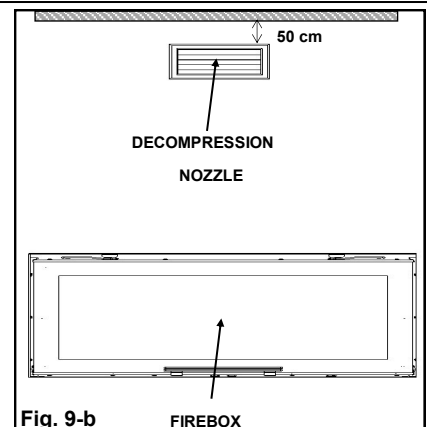


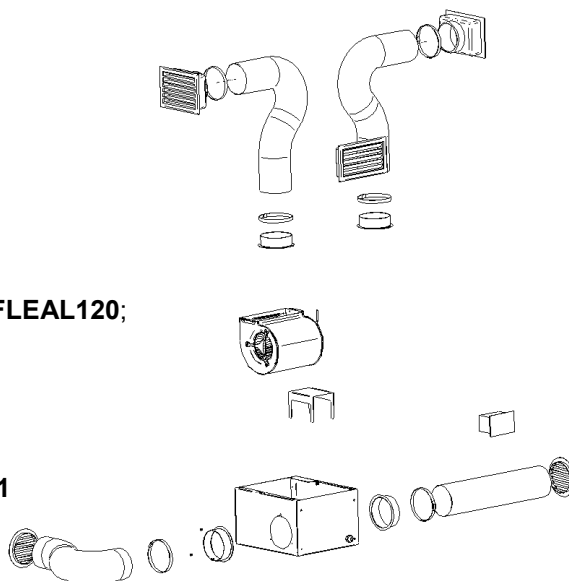
Fig. 9-b

7.7 - INSTALLATION OF VENTILATION KIT (OPTIONAL art. MORKV720)

All MORETTI DESIGN fireboxes allow the installation (optional) of a ventilation kit that makes it possible, through flexible pipes, to bring hot air also into adjacent rooms and/or away from the fireplace (heat distribution by forced convection), thus ensuring the same comfort of the installation environment.

Optional ventilation kit contains:

- No. 1 Centrifugal fan - art. **251001101**;
- No. 1 Control unit and thermostatic probe - art. **112000301**;
- mt 2 Power supply cable - art. **267000601**;
- No. 1 Cable gland - art. **206000201**;
- No. 1 Decompression nozzle - art. **215000101**;
- No. 2 Hot air nozzles - art. **215000801**
- No. 4 Flexible pipes ($\varnothing=120$ mm; Lmax pipe = 1.5 m) - art. **FLEAL120**;
- No. 2 White ABS round grille $\varnothing=120$ mm - art. **215000201**;
- No. 4 Rings $\varnothing=120$ mm - art. **215000501**
- No. 6 Connection clamps - art. **20FASC1113**
- No. 1 Fan box with block - art. **620005401** ; art. **2106000801**



The technical specifications of the centrifugal fan are indicated in paragraph 4.1.

! WARNING!!! For the installation of the ventilation kit, MORKV720 (optional), carry out the assembly near the installation site considering a height equal to or greater than 36 cm between the support surface and the fire surface. Raise the chimney above 4 (four) elements of building works of proven solidity and durability. Take all safety precautions during installation

! WARNING!!! The installation of the ventilation kit, MORKV720 (optional), must be carried out before the installation of the covering.

! WARNING!!! The access from inside the combustion chamber allows only the assembly of the fan, not the realisation of the necessary tubing for the recovery of the heating air.

7.7.1 ASSEMBLY PHASES

The next page shows the sequences for installing the MORKV720 kit

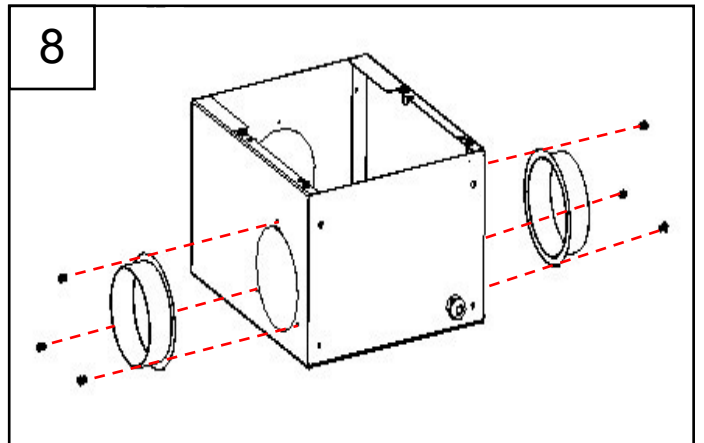
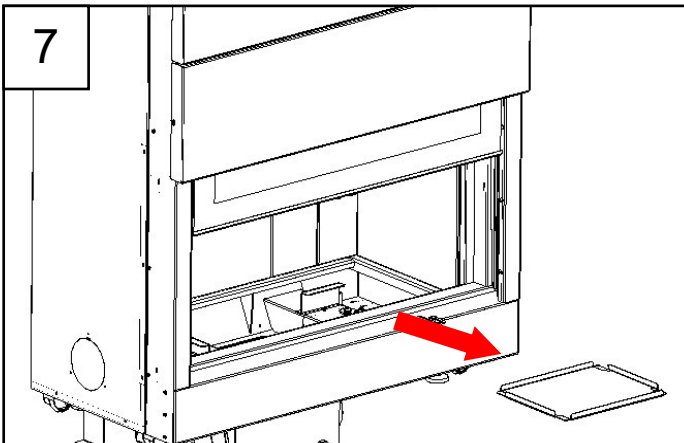
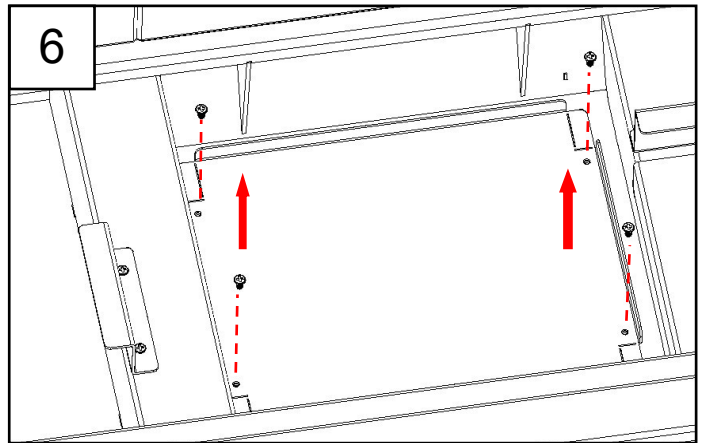
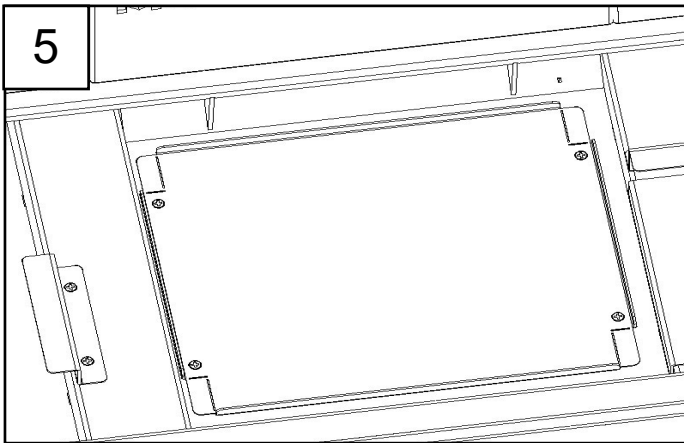
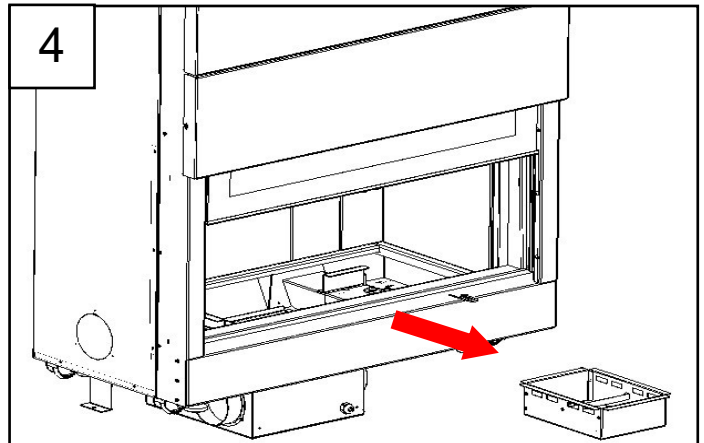
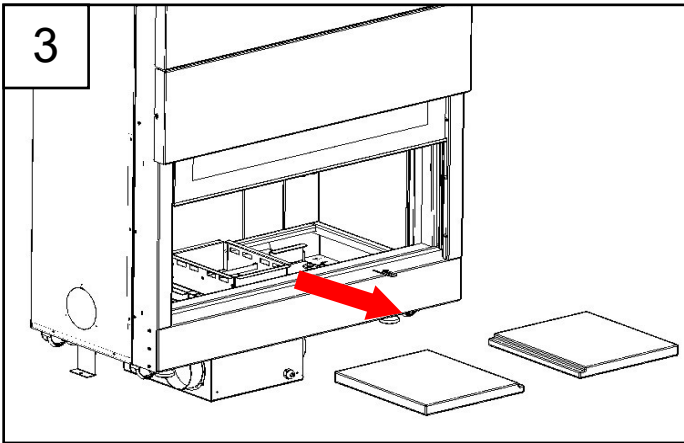
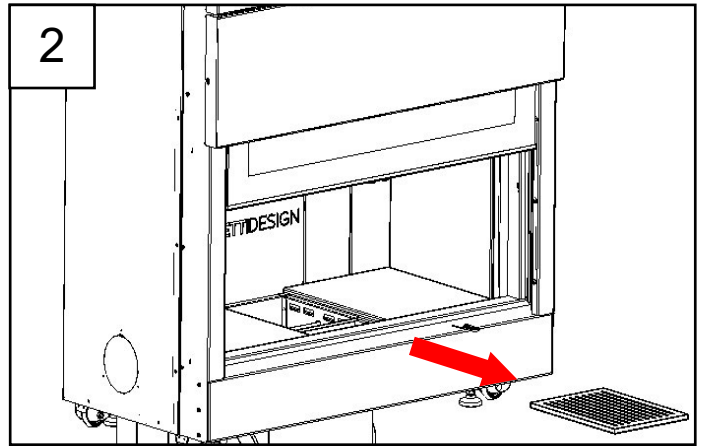
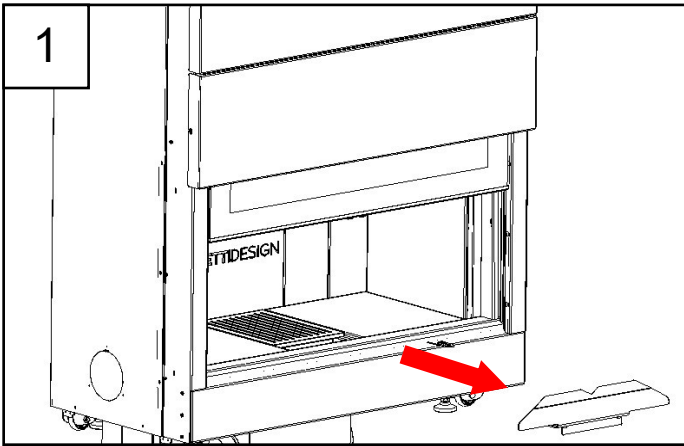
- Once the fireplace is positioned, remove the log guard, the refractory base and the cast iron of the firebox using a hook. (seq. 1, 2, 3)
- Remove the ash drawer (seq. 4)
- At the bottom of the fireplace you will see a rectangular plate fixed with 4 three-lobed screws, unscrew them with a screwdriver and remove the cap. (seq. 5, 6, 7)

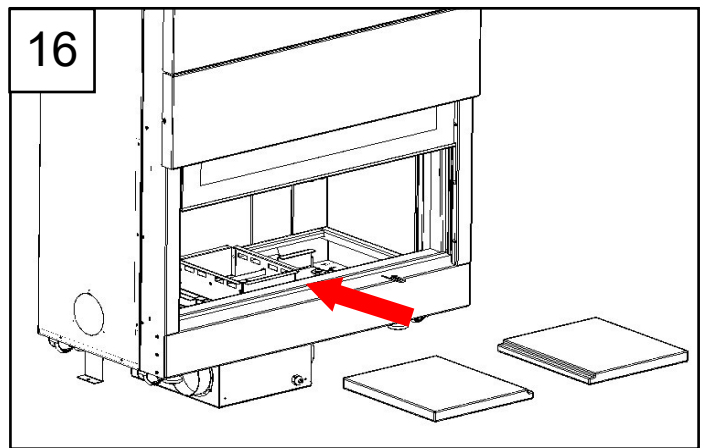
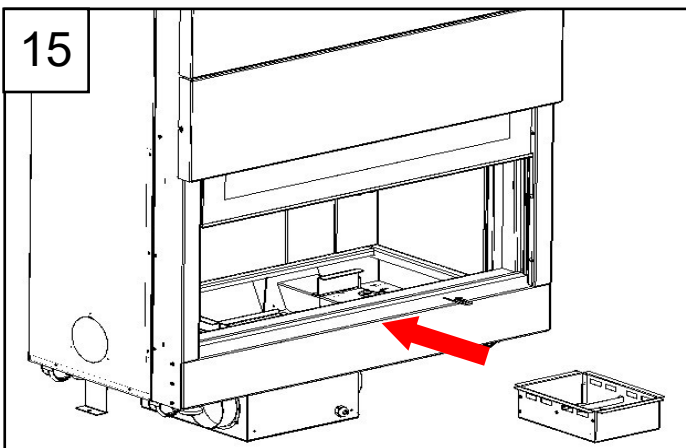
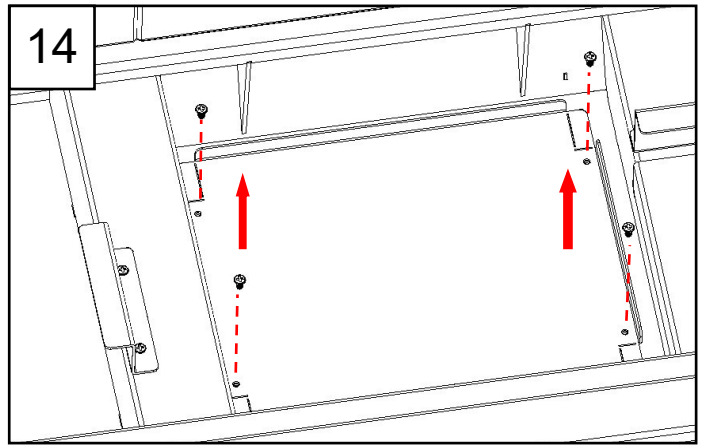
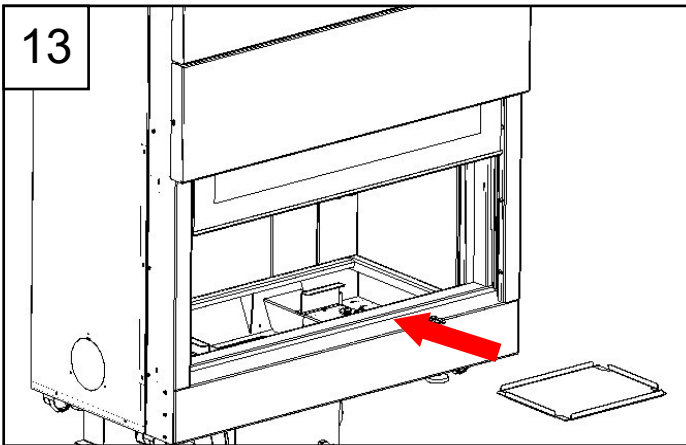
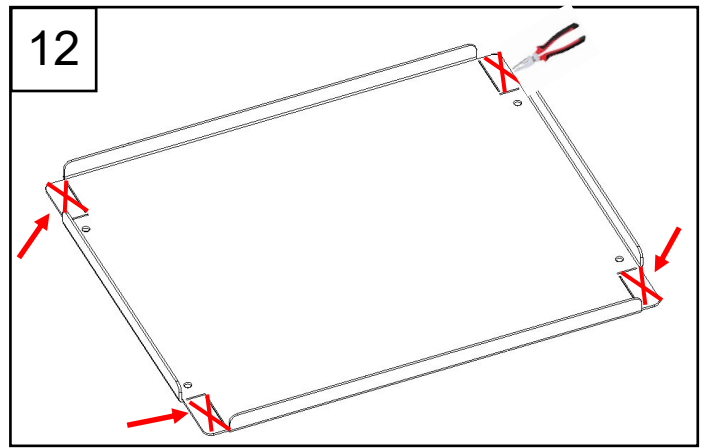
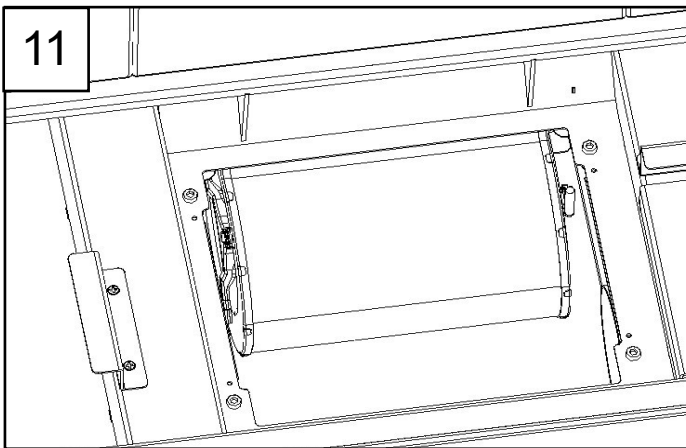
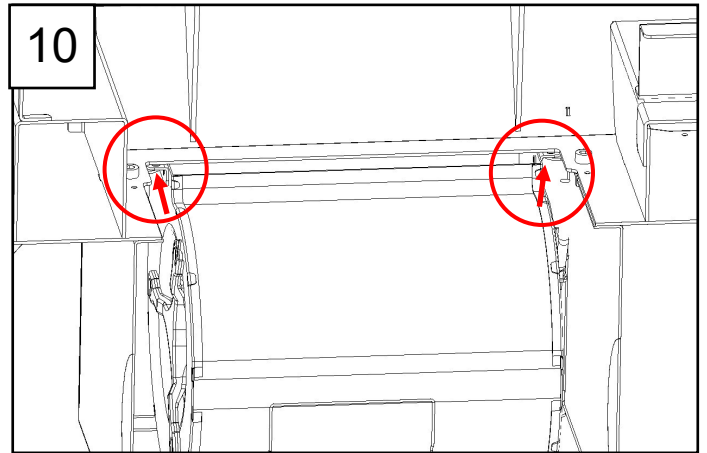
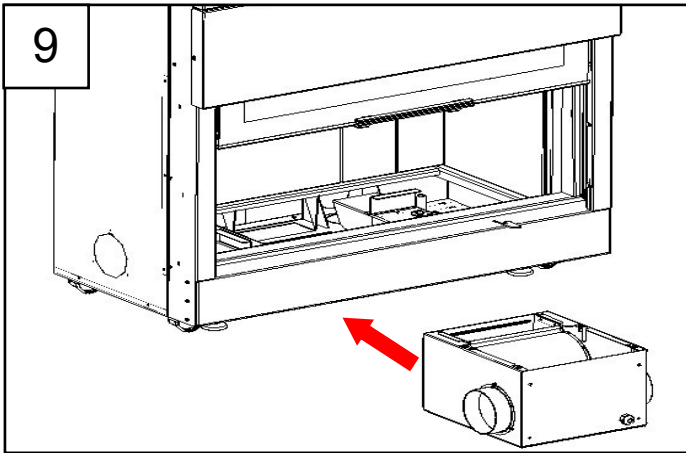
Warning: Between the cap and the support surface there is a gasket that must not be removed.

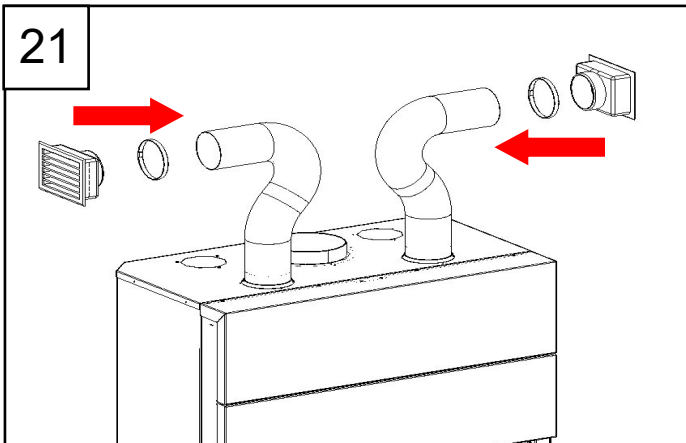
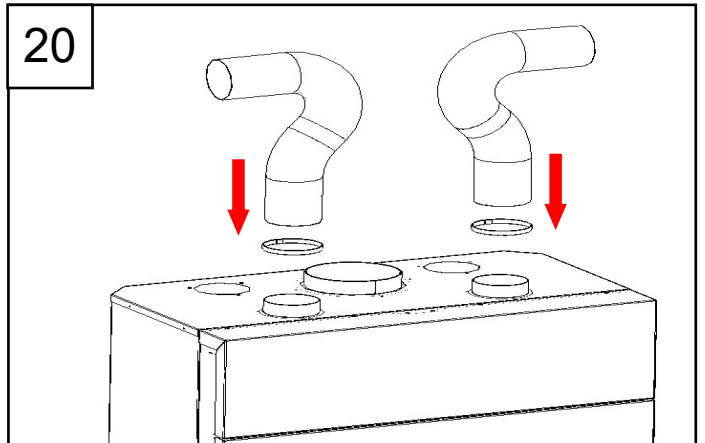
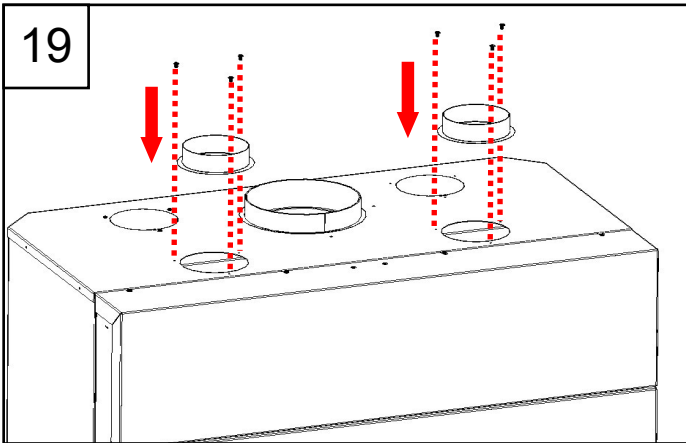
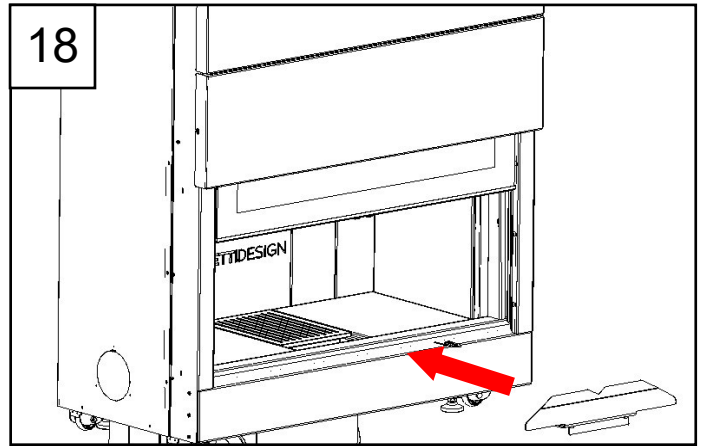
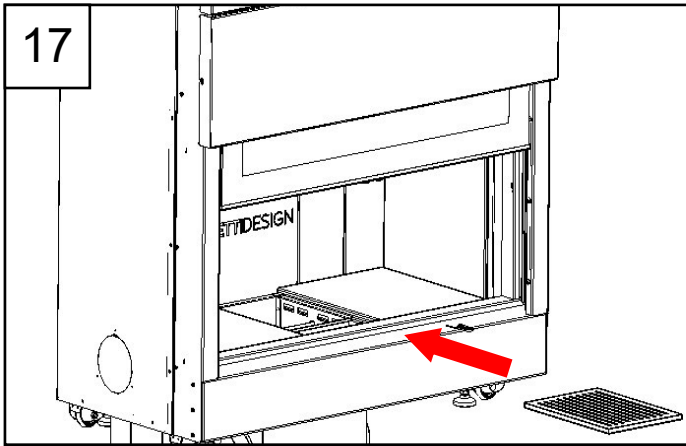
- Install the 2 (two) nozzles on the FAN BOX (seq. 8)
- Insert the Fan Box on the bottom with the fan and screw the TCEI M6 screws from the inside (seq. 9, 10, 11)
- Reinstall the plate at the bottom of the fireplace eliminating the 4 (four) pre-cut segments on the corners (seq.12, 13, 14)
- Reposition the internal components. (seq. 15, 16, 17, 18)

Warning: For the connection of the fan cable and the probe, see paragraph 7.7.7 pag. 21

- For the assembly of flexible pipes for hot air, follow the sequences 19, 20, 21.







7.7.2 - CENTRIFUGAL FAN

The fan draws air in laterally and, after it passes through the heat exchange zones of the firebox, delivers it into the room to be heated.

The fan must be installed inside the dedicated motor housing located at the bottom of the firebox.

WARNING!

For the correct installation of the fan, it is mandatory to install the air grilles (see paragraph 7.6.3) and connect them to the motor housing using the flexible ducts provided in the MORKV720 ventilation kit.

Operating the fan without the required connections to the return air grilles may cause malfunctions.

7.7.3 - AIR GRILLES

Once the centrifugal fan has been installed, the air intake ducts must be connected to the motor housing.

For optimal mixing of the supply air to the fan, it is recommended to install one external air intake (fig. 10-b) and one internal air intake (fig. 10-a) in the room where the firebox is located.

These air intakes must be connected to the fan housing using the flexible ducts included in the kit (Ø=120 mm).

EXTERNAL AIR INTAKE Ø 120 mm:

It must be connected to the motor housing using a flexible duct and positioned as close as possible to the fireplace.

If this is not feasible, it is recommended to route the duct or conduit beneath the floor, providing an opening in the floor surface as shown in the adjacent figure.

The external air intake must be equipped with a suitable protective cover to prevent the entry of foreign objects, water, or animals.

Fig. 10-a Internal Air Intake

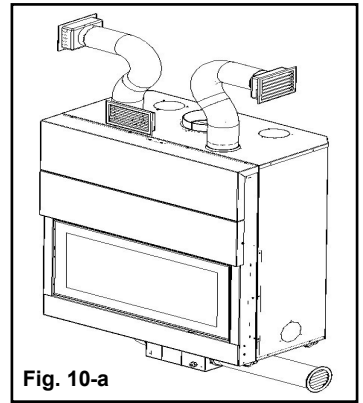


Fig. 10-a

Fig. 10-b External Air Intake

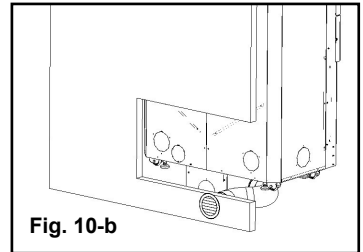


Fig. 10-b

INTERNAL AIR INTAKE (Return Air):

It must be connected to the motor housing via a flexible duct and installed approximately 30 cm from the floor, preferably near the fireplace or integrated into the fireplace cladding.

It must never be positioned directly in front of the firebox opening to avoid the fan drawing in smoke when the fireplace door is opened.

An example of proper installation of air intakes in conjunction with a ventilation kit is shown in Figures 10a and 10b.

7.7.4 - HOT AIR DUCTING

The warm air produced by the fireplace can be ducted to adjacent rooms using flexible ducts (Ø 120 mm). These ducts must be connected to the two hot air outlets located in the upper part of the fireplace.

Through dedicated outlet grilles, the hot air is released from above into the room, ensuring uniform heating without stirring up dust.

It is recommended to install these outlet grilles at a distance of 70 cm from the ceiling.

The hot air outlet grilles are equipped with shutters, allowing airflow to be adjusted according to heating requirements. For optimal heating performance, ducting should be insulated and kept as short as possible, as a shorter air path results in higher outlet temperatures.

7.7.5 - CONTROL UNIT

WARNING: The control unit must not be installed near the fireplace or its cladding, in order to prevent heat from causing overheating and compromising its operation.

The start-up of the centrifugal fan is managed via the control unit (see Figure 11), which offers three operating modes: Manual (MAN), Automatic (AUTO), and Proportional (PROP).

To select the desired mode, simply press the mode selection button.

- In **Manual mode** (MAN indicator ON), the fan operates at the set speed regardless of the temperature sensor.
- In **Automatic mode** (AUTO indicator ON), the fan runs at the selected speed when the temperature exceeds the preset thermostat level (SET).
- In **Proportional mode** (PROP indicator ON), the fan speed varies automatically based on the detected temperature within a predefined range.



Fig. 11

WARNING: Refer to the user manual supplied with the control unit for correct operation.

WARNING: The control unit must be installed by qualified personnel.

MORETTI DESIGN shall not be held liable for any malfunction or damage resulting from improper installation or tampering (e.g., faults due to incorrect electrical connection, unauthorized opening or modification of the control board).

In such cases, the control unit will not be covered by the warranty.

7.7.6 - INSTALLATION OF THERMOSTATIC PROBE

The presence of a thermostatic probe allows the fan to start and stop automatically: it enables the fan to turn on when it detects the threshold hot air temperature preset by the manufacturer, and switches it off when the temperature drops below that value. The thermostatic probe must be positioned inside one of the two flexible hot air ducts and secured using the special clamp provided in the kit.

The probe can be placed either near the hot air outlet grille (preferred solution if no inspection access is available in the upper part of the fireplace), or as close as possible to the connection point between the flexible duct and the fireplace structure (if inspection is available to allow future replacement of the probe in case of malfunction).

The other end of the probe, with green terminals, must be routed directly to the control unit and connected to terminal S2 (PIN 11-12) as shown in Figure 13.

7.7.7 - CONTROL UNIT ELECTRICAL CONNECTIONS

Check the nominal mains voltage and ensure that it complies with the values specified for the correct operation of the control unit. Ensure the proper functioning of the earthing system, which is mandatory by law in accordance with CEI 64-8 (Art. 413) and required by D.P.R. 462/01. The manufacturer declines all liability for damage to persons or property resulting from failure to comply with this requirement. Three electrical conduits must reach the control unit housing, as shown in Figure 12.

Make sure that the power supply to the control unit terminal block is completely disconnected before connecting any accessory cables (fan, probe, etc.). Connections must be made exclusively by qualified personnel, using certified tools.

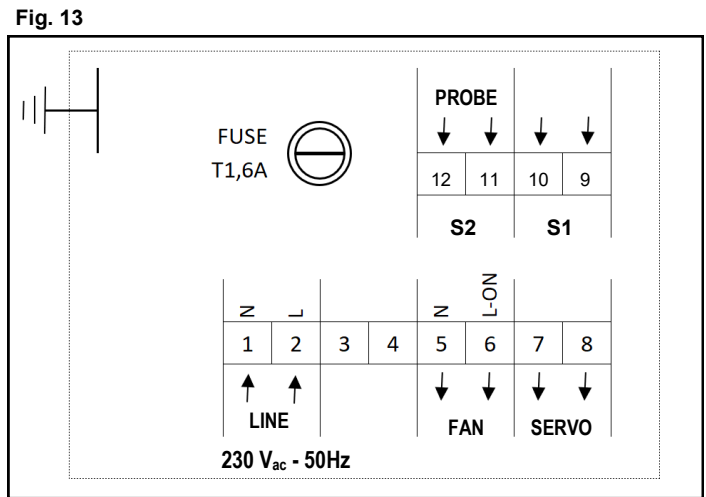
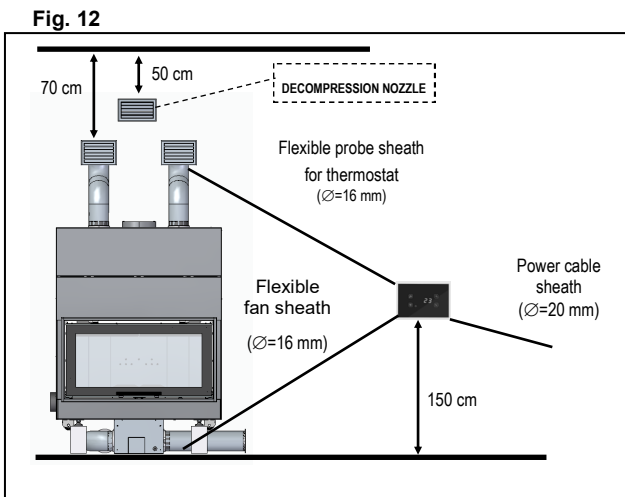
The manufacturer accepts no liability for damage caused by incorrect connections or improper use of the device.

To ensure performance and safety, strictly follow the technical data sheet provided in the control unit kit.

Note:

It is the technician's responsibility to ensure that all operations are carried out in compliance with D.M. 37/08 (regulations for professional installations) and applicable CEI standards. **Any damage or malfunction caused by incorrect operations will be the sole responsibility of the installer.**

The connection of the fan and thermostatic probe must follow the diagram provided in Figure 13 to ensure correct wiring on the terminal block.



	Initials	Clamps	Device	Characteristics
INPUTS	LINE	1 (N) - 2 (L)	Mains power supply	230 Vac 50 Hz ± 10% Absorption 2 VA
	S1	9 - 10	Air Temperature Probe	Operating range: -10°C ÷ 180°C NTC100K Measurement: -10°C ÷ 300°C ± 1°C
	S2	11 - 12	Room Temperature Probe	Operating range: -10°C ÷ 80 °C NTC10K Measurement: -10°C ÷ 110 °C ± 1°C
OUTPUTS	VENT	5 (N) - 6 (Lon)	Fan	230 Vac 0,8A / 1,5A enhanced version
	SERV	7 (COM) - 8 (N.O.)	Thermostat	Free connectors

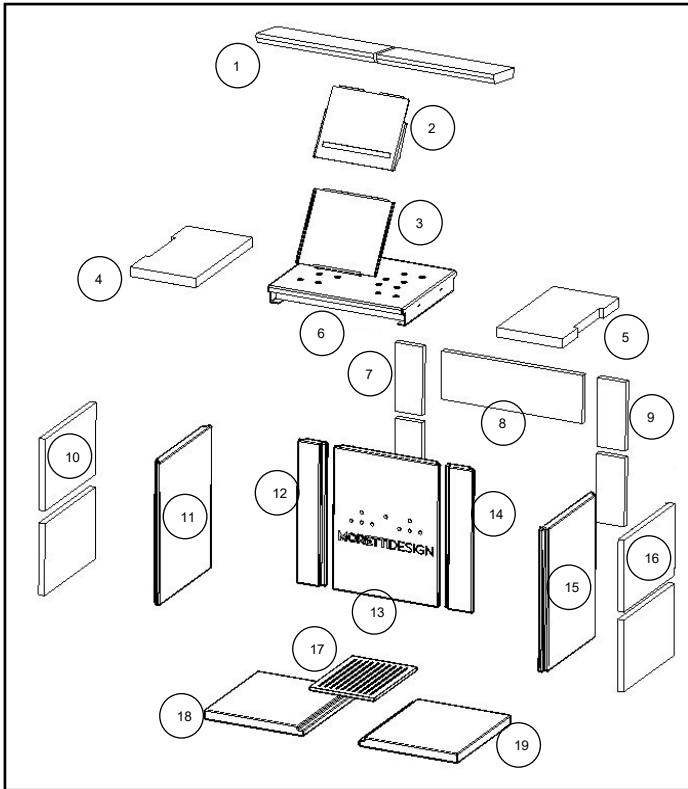
7.8 - POSITIONING OF THE FUMES DEFLECTORS

The fumes deflectors are fundamental elements for the correct functioning of the fireplace, since they direct the smoke towards obligatory passages allowing the adjustment of the draft and thus improving both the efficiency of the fireplace and the consumption of wood.

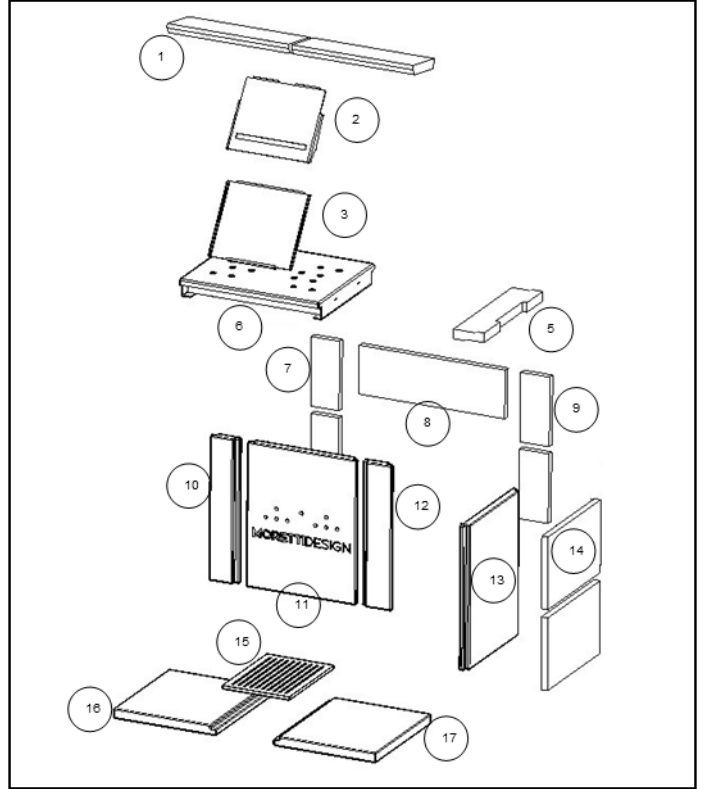
The deflectors are positioned at the top of the combustion chamber, and differ according to the firebox model. Below are the methods of positioning the deflectors according to the model type. Upon delivery of the firebox, the deflectors are already mounted.

Warning: However, before starting the firebox, make sure that they are present and correctly positioned.

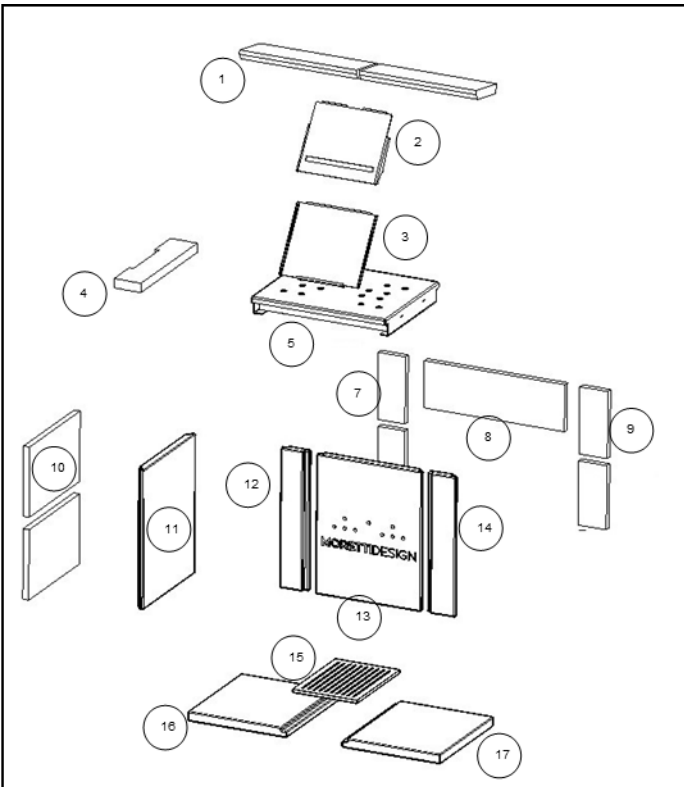
MONODESIGN 60



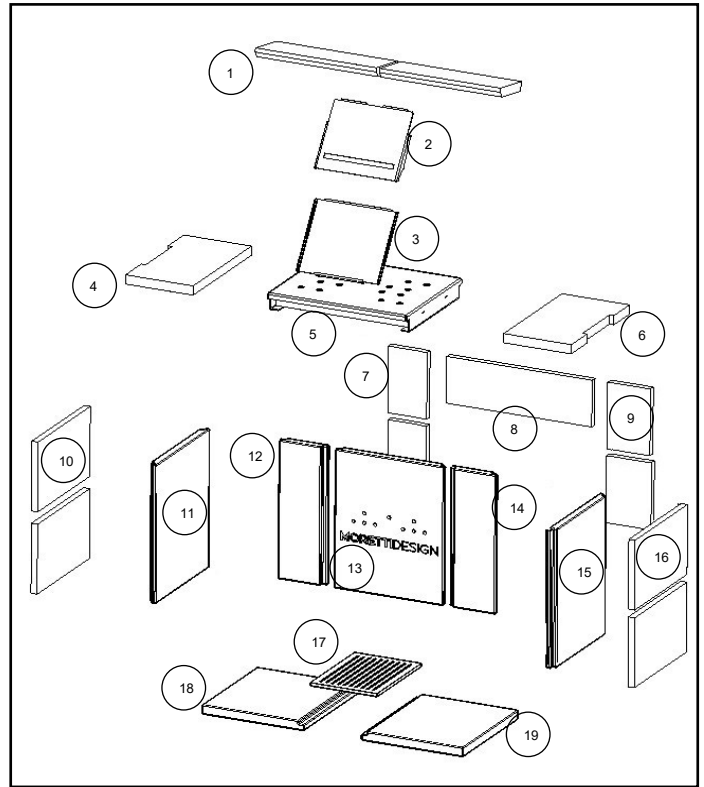
LATODESIGN 60 L



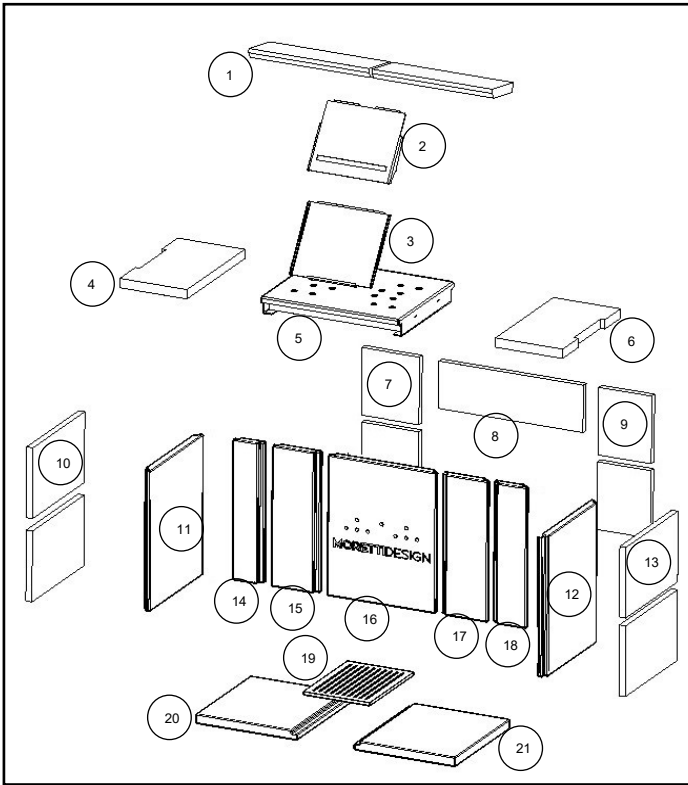
LATODESIGN 60 R



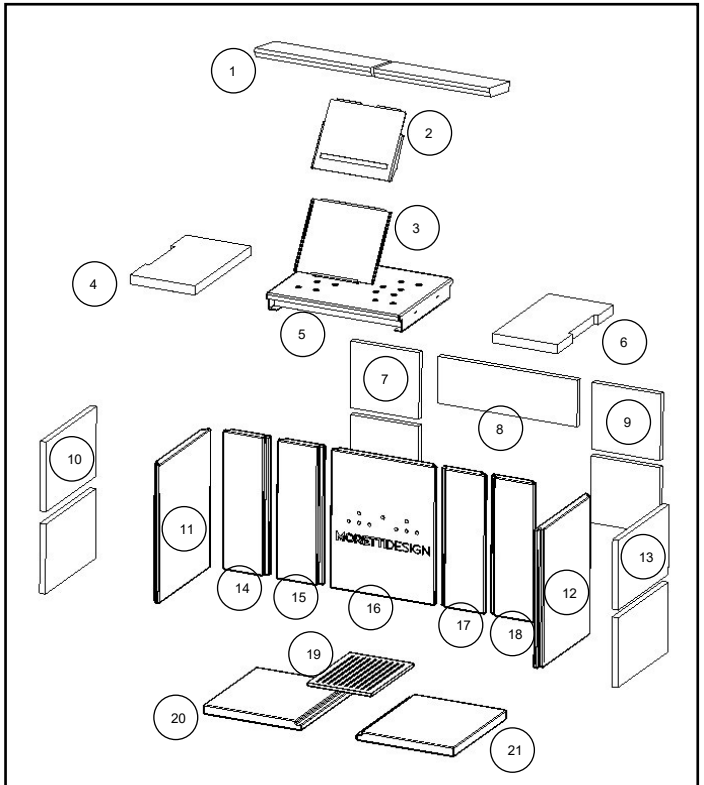
MONODESIGN 70



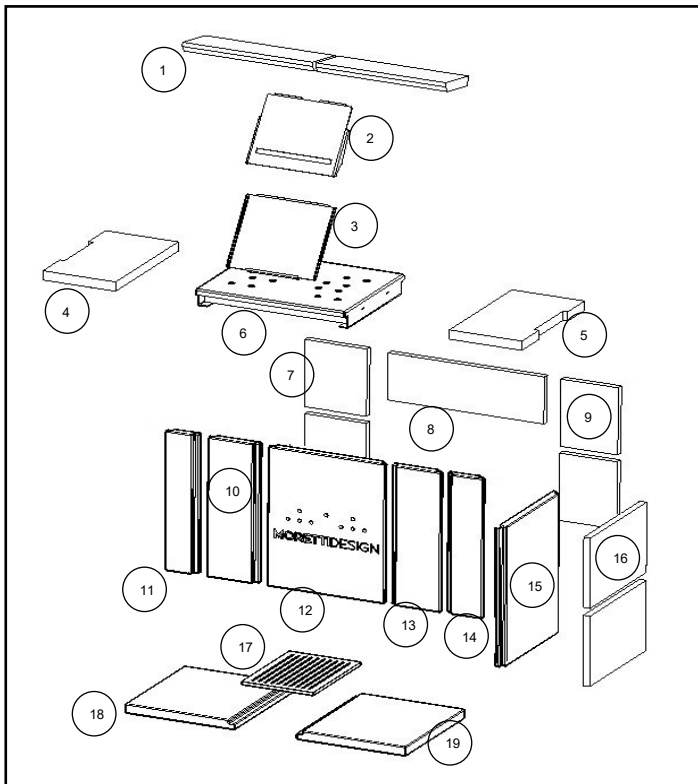
MONODESIGN 80



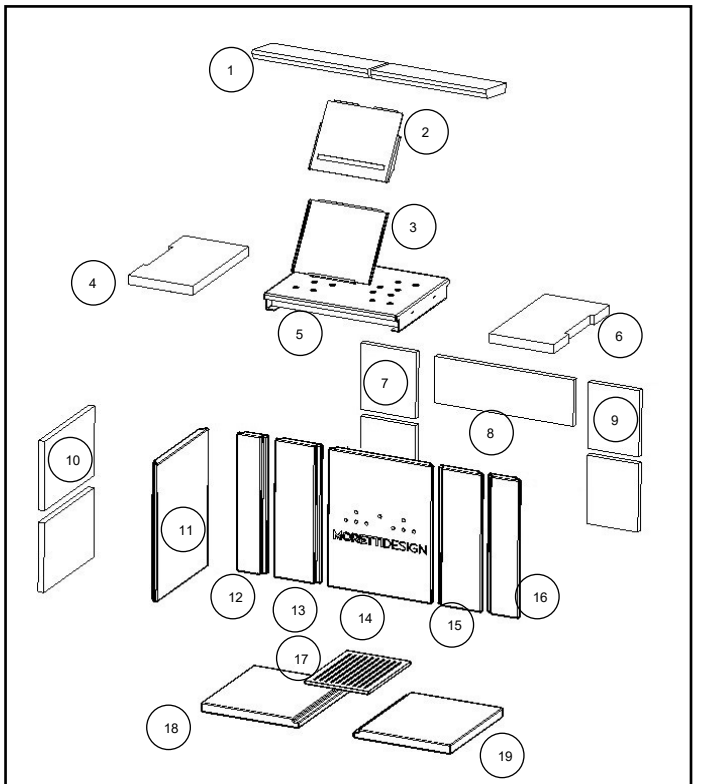
MONODESIGN 90



LATODESIGN 90 L

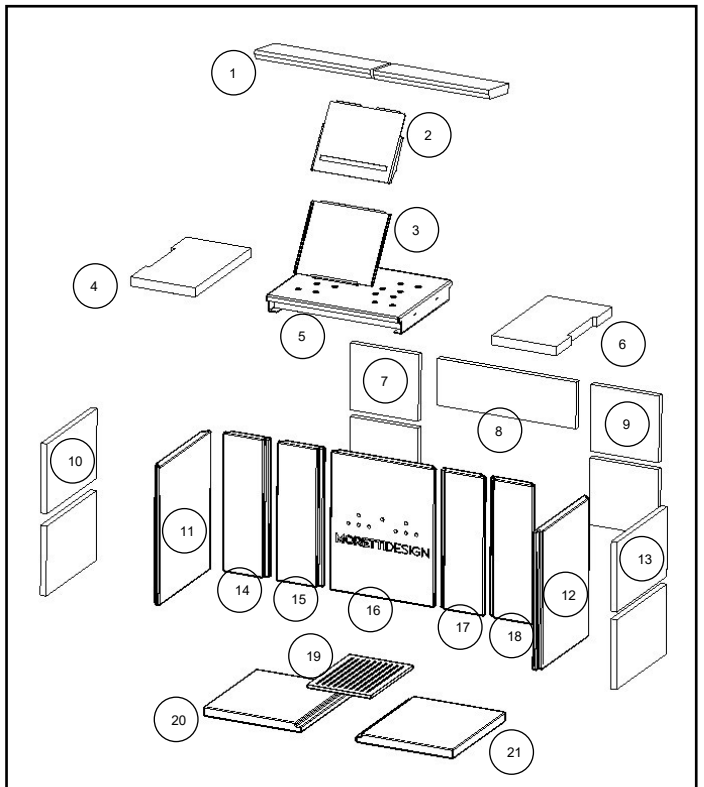
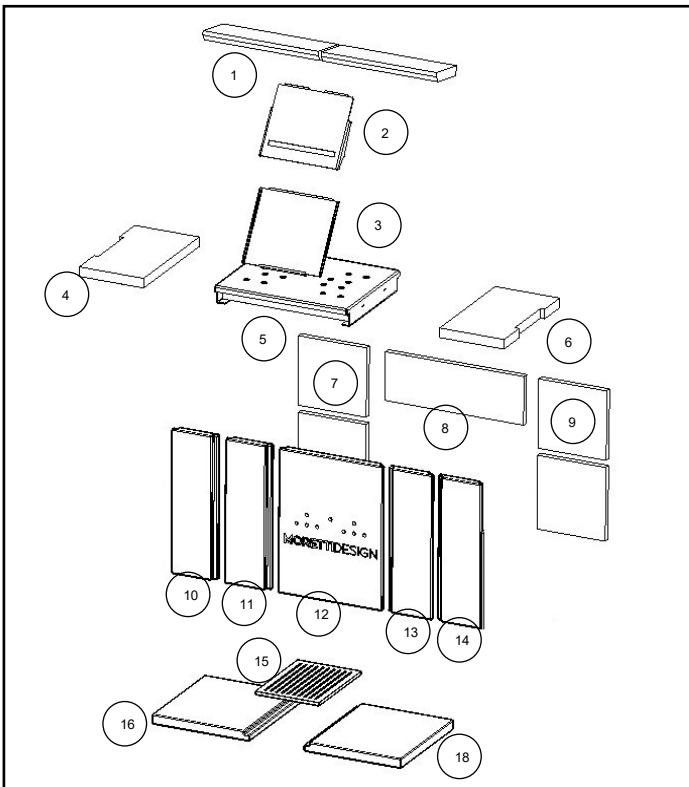


LATODESIGN 90 R



TRIODESIGN 90

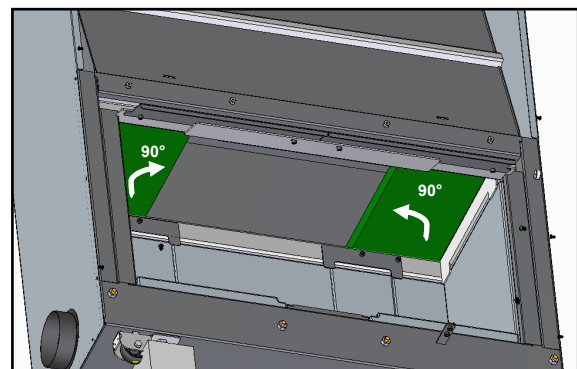
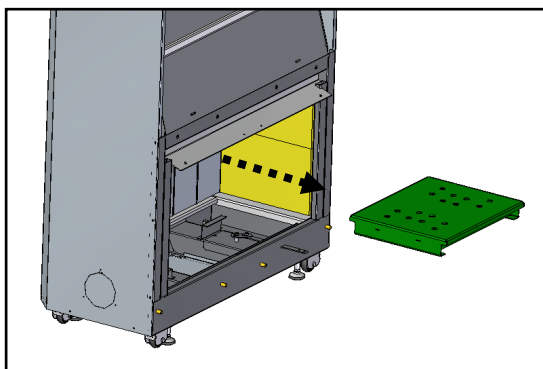
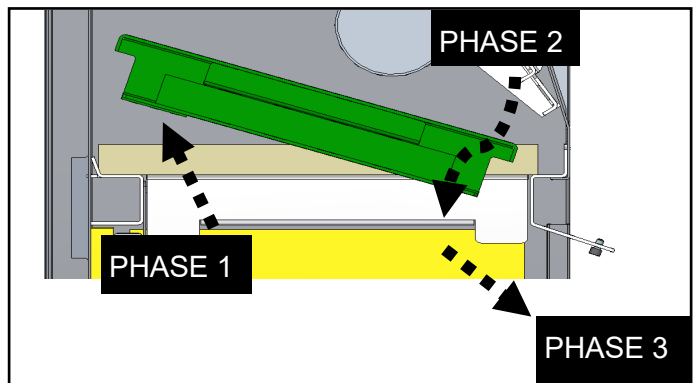
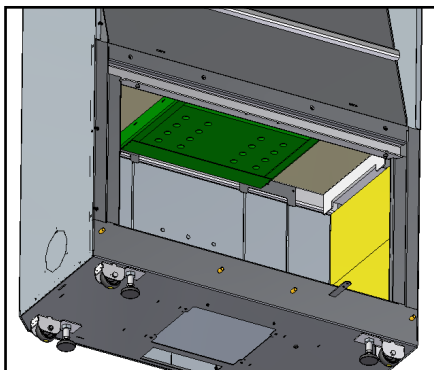
MONODESIGN 120

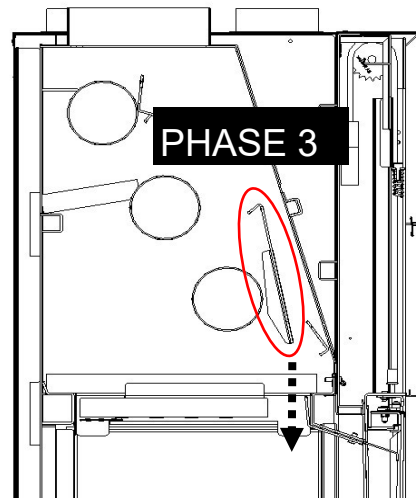
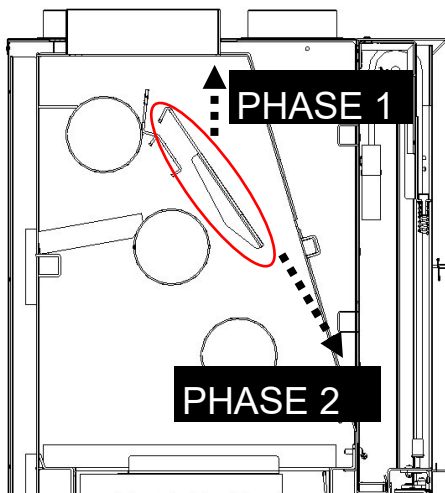
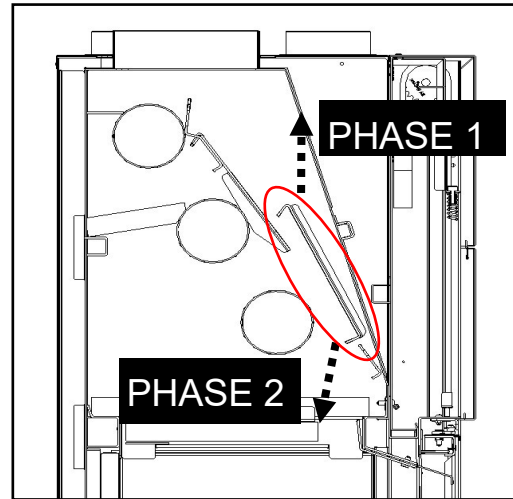
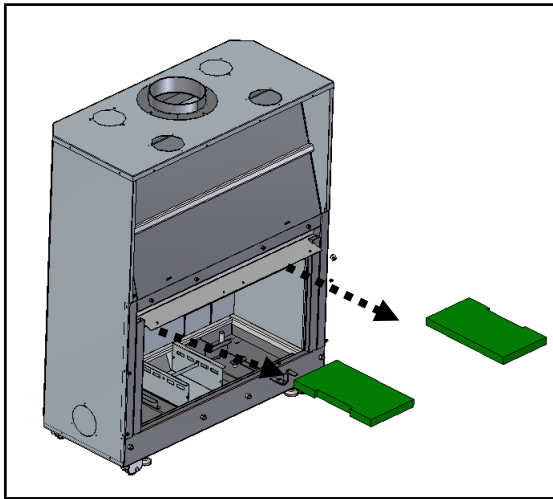


7.8.1 - REMOVING THE UPPER DEFLECTORS

To carry out the general cleaning operations, paragraph 8.6.2, it is necessary to remove some internal elements of the appliance, taking great care when handling the vermiculite elements.

To remove the deflectors 2, 3, 4, 5, 6 follow the pictures below.





8 - USE AND MAINTENANCE OF THE FIREBOX

Warning:

It is suggested to ventilate the room at the first ignition and not to stay near the fireplace, to evacuate any odours and/or fumes emitted by the paint during drying and curing due to heat. The odours and/or fumes will disappear after about 4 hours of operation, however, remembering that they are not harmful to health.

8.1 - RECOMMENDED FUELS

Moretti fireboxes are designed to work only with firewood. Wood is divided into two main categories:

- **hardwood** (*oak, hornbeam, beech, ash, birch, etc.*) has a high calorific yield because it burns slowly and produces a great deal of embers.
- **soft wood** (*poplar, willow, tremolo, etc.*) is more resinous and has less tight fibres, producing a lively flame that burns very quickly. A negative characteristic of softwood is that it creates creosote incrustations inside the smoke passage due to the high resinosity.

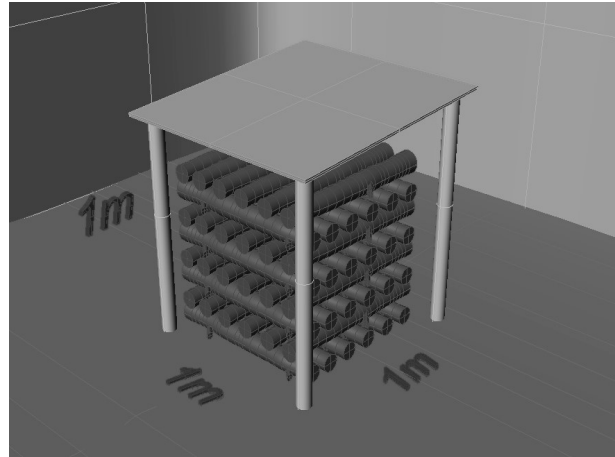
It is recommended to use only seasoned (dry) hardwood, with a humidity level of less than 20%, thus guaranteeing a high caloric value. Dry wood has a calorific value of about 4.5 kW/h per kg unlike green wood, with only 2.1 kW/h per kg. Wet wood is more difficult to consume, while dry wood burns better and more slowly, releasing a greater amount of heat. Wet wood that reaches humidity levels of 50-60% also does not heat, has bad combustion, releases excessive water vapour and leads to the formation of tar in the combustion chamber, glass and flue pipe.

The higher the specific weight of the type of wood used, the higher the thermal yield. Table 3 shows the specific weights for different types of wood (it is preferable to store the wood in a ventilated room, keeping it cut into small pieces of about 40 cm in length, for a time ranging from 18 to 24 months). For correct wood storage, see figure 14.

Table 3

Type of wood	Kg/m ³
Hornbeam	400/500
Oak	380/480
Beech	350/450
Birch	300/400
Larch	300/400
Pine	300/400
Poplar	250/350
Spruce	250/350
Maple	250/350

Fig. 14



PROHIBITED FUELS

Do not use wood with resin, damp wood, chipboard, painted wood, etc. Do not use plastic of any kind, cardboard, etc. It is forbidden to use, for combustion or to facilitate ignition, chemicals, oil, alcohol, petroleum derivatives and all highly flammable materials.

USEFUL TIPS

For maximum performance, it is important to use dry wood with a diameter of 12-15 cm and a length of 30-40 cm, always placing it above the live embers bed (obviously during operation). During ignition, insert small pieces into the combustion chamber to create live embers (see paragraph 5.3).

WARNING! Do not use the hydro stove as an incinerator or in any other manner other than that for which it was designed for. Do not use fuels other than those recommended. Do not use liquid fuels.

8.2 - AIR REGISTERS

8.2.1 - COMBUSTION AIR REGISTER "FIRE TECH MODE"

Some fireplace models are equipped with the new FIRE TECH MODE lever (Figure 15-a).

This intuitive lever gives you full control over the airflow and ignition of your Moretti Design fireplace. This innovative feature allows you to choose from several adjustment options:

[0] **Power ON:** *In this mode, the fireplace ignition is enabled.*

[1] **Slow Mode:** *In this mode, you can enjoy a slow and gentle flame, allowing the fireplace to operate for an extended period while minimizing wood consumption.*

[2] **Economy Mode:** *Economy mode offers optimal efficiency, ensuring reduced wood consumption without compromising heating performance.*

[3] **Efficiency Mode:** *In Efficiency mode, the fireplace optimizes airflow speed to maximize energy efficiency, reduce emissions, and enhance overall heating performance.*

[4] **Speed Mode:** *If you need to heat the room quickly, you can select Speed mode to achieve the fastest ignition and heating.*

[X] **The Button:** *Allows shutdown.*

With Fire Tech Mode, you can personalize your Moretti Design fireplace experience, adapting it to your specific needs while enjoying optimal thermal comfort.

The lever controls both primary and secondary air.

During ignition, the lever must be kept to the left (air intake fully open).

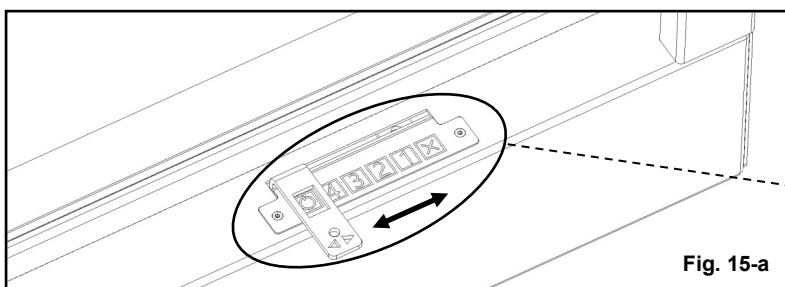


Fig. 15-a



8.3 - FIRST IGNITIONS

Once the fireplace has been positioned in its final location, connected to the flue pipe, and the external air intake for combustion air has been installed, a series of **MANDATORY test ignitions** must be carried out **before** completing the cladding.

This will allow the appliance to be tested and its proper operation verified, without hindering any potential corrective actions (e.g., smoke leakage).

WARNING!

If any malfunctions occur after the cladding has been completed, **MORETTI DESIGN shall not be held responsible** for any masonry work required to resolve the issue. For further details, refer to the warranty terms on page 3.

The first ignition of the fireplace must be carried out by the end user, following the procedure below:

- Ensure that the **smoke deflector** is correctly positioned.
- Fully open the **combustion air damper**, as described in section 8.2.1.
- Place suitable ignition material (paper, firelighter, etc.) in the center of the firebox, stack small pieces of wood on top, and proceed with lighting. To facilitate the process, it is recommended to leave the **sliding door slightly open** (max 1 cm) until the fire is fully lit. Refer to **Figure 16** for correct wood placement during ignition.
- Once the fire is burning well, add a load of **medium-sized dry wood** (diameter 10–15 cm) on top of the embers. This load must not exceed the weight specified in the technical specifications (**section 4.1**) to ensure gradual expansion of the metal sheets and avoid damaging the structure. Once the wood is loaded, **fully close the glass sliding door**.
- Adjust the **combustion air damper** according to the flame:
 - Moving the lever to the **right** reduces the combustion air supply: the flame slows down.
 - Moving the lever to the **left** increases the combustion air supply: the flame becomes more intense. As described in **section 8.2.1**.

WARNING: If combustion remains slow and the flame is weak even with the air damper fully open, we recommend adjusting the position of the central deflector, moving it backward by 3 cm as shown in Figures 17 and 18. If this does not improve the draft, the lateral deflectors can also be rotated as shown in Figure 19.

- Ensure that the **sliding door** operates correctly during use; otherwise, refer to the instructions in **section 8.4**.
- Carry out several wood reloads to verify correct operation of the fireplace and to allow the **burn-in of manufacturing oils** present on the fireplace surfaces. **During the first ignition, a significant amount of smoke will be released due to these oils.** It is therefore recommended to **thoroughly ventilate the area**, keeping windows and doors open to allow proper airflow. After the first ignition—or at the latest, after a few days—the fireplace structure will have **fully dried**, and any **smoke or odors** will disappear.

Fig. 16



Fig. 17

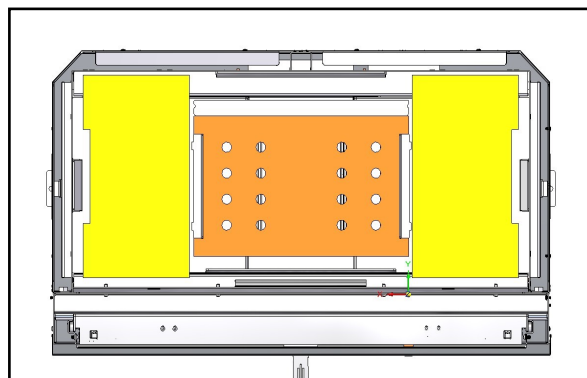


Fig. 18

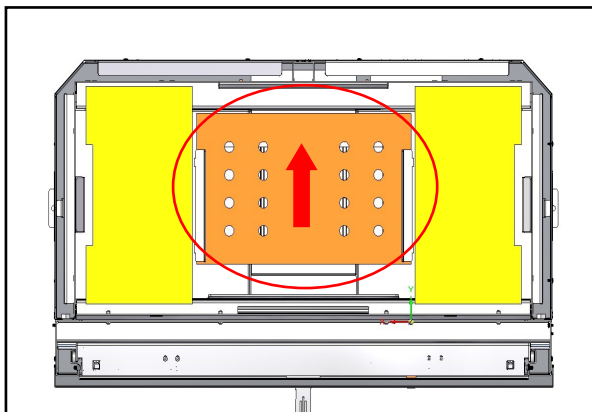
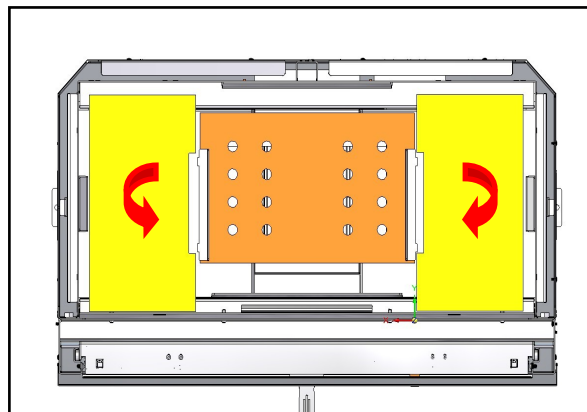


Fig. 19



8.4 - SLIDING DOOR ADJUSTMENT

In all models of the MORETTI DESIGN range, the adjustment screws for the sliding door are located at the front of the guide rails.

1. Cold Fireplace (at room temperature)

Check that the sliding door moves freely without any obstructions.

Make sure the counterweight lock has been removed, as indicated on page 11.

Gently lift the door 2–3 times and check for any abnormal friction between the door and the guide rails.

In case of friction or excessive play, proceed with the adjustment of the guide screws as shown in Figures 20.a and 20.b.

After each adjustment, verify smooth operation by lifting the door again. Once the optimal setting is achieved, proceed to the next step.

If no irregularities are detected during movement, proceed to the next step.

ADJUSTMENT SCREWS:

MONODESIGN: Use a 10 mm open-end wrench and loosen the three screws on both sides (Fig. 21-a – 21-b)

LATODESIGN: Three screws inside the firebox; three on the outside (Fig. 21-a – 21-b)

TRIODESIGN: Three screws on both sides (Fig. 22-a – 22-b)

2. Hot Fireplace (during operation)

Once the fireplace has reached its normal operating temperature, open and close the sliding door several times. Thermal expansion will help the guide rails settle, allowing the door to slide more smoothly.

If the sliding movement remains irregular or abnormal, repeat the adjustment as follows:

- Loosen the guide rail screws
- Loosen the three adjustment screws on each side, as shown in Figures 20.a – 20.b
- Make small adjustments until the optimal position is reached
- Retighten all screws once the adjustment is complete

MODELS: MONODESIGN 60, MONODESIGN 70, MONODESIGN 80, MONODESIGN 90, MONODESIGN 120.

To loosen the screws from the guide, use a 10 mm fixed wrench and loosen the three screws on both sides as shown in fig. 20-a / 20-b

Fig. 20-a

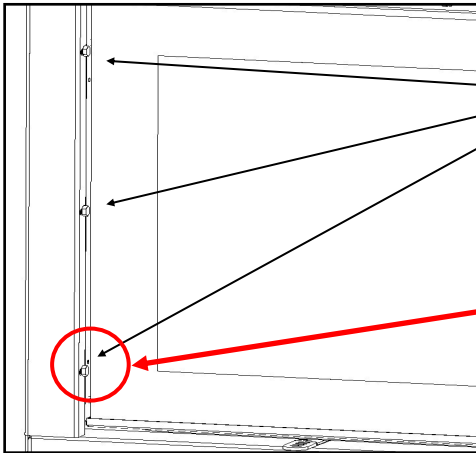
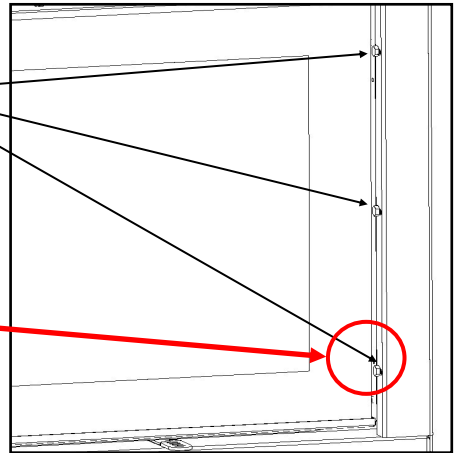


Fig. 20-b



Adjustment screws

MODELS: LATODESIGN 60 R, LATODESIGN 60 L, LATODESIGN 90 R, LATODESIGN 90 L.

The screws of the sliding door are located: 3 (three) inside the firebox and 3 (three) outside as shown in fig. 21-a / 21-b

Fig. 21-a

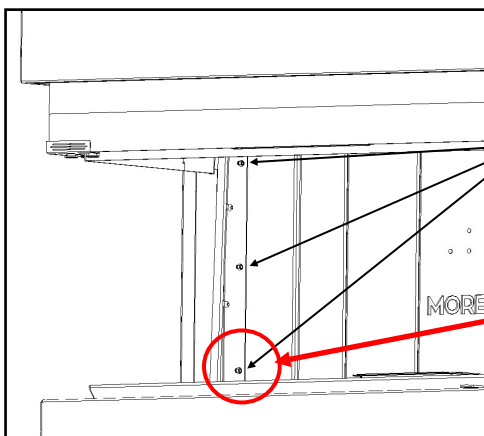
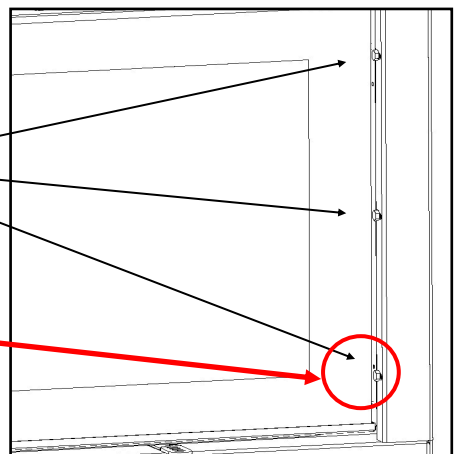


Fig. 21-b



Adjustment screws

MODELS: TRIODESIGN 90

The screws of the sliding door are located inside the firebox. To loosen the screws, lift the sliding door and loosen the 3 screws on both sides as shown in fig. 22-a / 22-b

Fig. 22-a

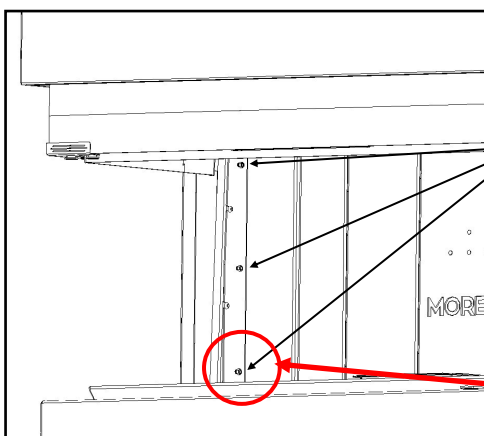
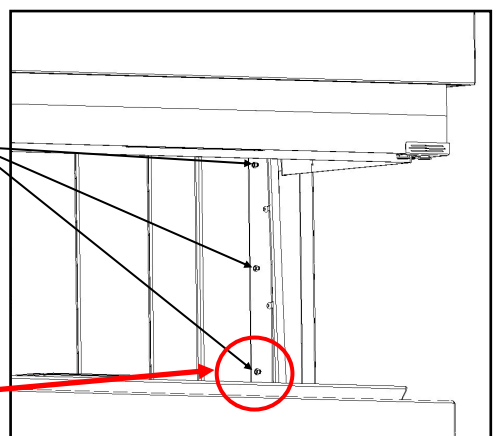


Fig. 22-b



Adjustment screws

8.5 - DAILY USE

Once the test ignitions have been successfully completed, it is possible to proceed with the cladding of the firebox, in compliance with the instructions provided in this manual (particularly in Chapter 4) and in accordance with all local regulations, including national and European standards.

During normal use of the firebox, the user must always exercise the utmost caution to avoid hazardous situations, operating in compliance with the instructions provided in this manual. In particular, please note that:

- The appliance **must not be used as an incinerator**. It is designed to operate exclusively according to the methods and with the fuels specified in this manual. Improper use may compromise safety, reduce system efficiency, and void the warranty.
- During normal operation, the surfaces of the firebox, especially the glass door, can reach very high temperatures and cause burns if touched. For this reason, it is strongly advised **not to place fabrics or flammable materials near the glass**. It is recommended to handle the firebox door **only by the supplied handle or by using a high-temperature resistant glove** to avoid burns and ensure safe operation of the appliance.
- During normal operation, the firebox must be kept with the glass door fully closed, except during wood reloading operations. **It is forbidden to open the sliding door while the flames are active**: always wait for the formation of embers before proceeding, in order to avoid risks to the user, damage to the building, and negative environmental impacts. Each door opening introduces oxygen into the combustion chamber, causing a sudden increase in carbon monoxide (CO) emissions into the environment. It is also recommended to open the door slowly: a sudden rapid opening can generate a sharp pressure change inside the combustion chamber, potentially causing smoke to escape. Do not use wood quantities exceeding the recommended amounts, to preserve the structural integrity of the firebox. Damage caused by excessive wood loads is not covered under warranty.
- **WARNING:**
We consider this the most important point for the correct operation of the fireplace and for its long-term durability. As analyzed in paragraph 8.1, dry wood has a calorific value of 4.5 kW/h, and the maximum power of a firebox is approximately 16–20 kW. This means that the amount of fuel to be loaded is about 5 kg, which must burn for one hour. We recommend that all users weigh the wood during the first months of use to accurately understand the correct hourly consumption.
- Certain adverse climatic conditions, such as strong winds, may cause poor draft performance and hinder smoke evacuation. To address this issue, it is advisable to load a smaller amount of wood and properly adjust the air damper system by acting on the combustion air lever, the smoke deflector, or the flue valve.
- **Never extinguish the fire by pouring water into the combustion chamber**: thermal shock could damage the materials. In case of fire, extinguish flames using a fire extinguisher.
- If the appliance is not used for an extended period, before reigniting, check that there are no obstructions in the flue pipe.
- Wood loading must be carried out **only when there is a bed of embers present**. Only in this condition is it possible to open the sliding door using the supplied key and load the required amount of wood (Fig. 23a; 23b).

Fig. 23-a



Fig. 23-b



8.6 - CLEANING AND MAINTENANCE

Per mantenere nel tempo un'ottima efficienza del focolare, è necessario provvedere a costanti interventi di pulizia e manutenzione. Alcune operazioni di pulizia vanno effettuate quotidianamente, o al massimo una volta al mese, direttamente dall'utilizzatore dell'apparecchio; altre vanno effettuate con cadenza annuale, e riguardano una pulizia più approfondita del focolare, della canna fumaria, l'eventuale sostituzione delle guarnizioni (se usurate) e in generale un controllo completo dell'apparecchio. Per queste ultime operazioni, si consiglia di rivolgersi sempre a personale qualificato, in possesso dei requisiti richiesti dalle normative vigenti sia a livello locale che nazionale.

8.6.1 - DAILY OPERATIONS

Prima di ogni accensione, è opportuno liberare il focolare dai residui di cenere prodotti dalle precedenti combustioni. Qualora la cenere fosse ancora calda, è necessario depositarla all'interno di un contenitore metallico che ne consenta il raffreddamento; successivamente è possibile procedere allo smaltimento o, se si desidera, all'utilizzo della cenere come fertilizzante.

Firebox cleaning: Perform a general cleaning of the **firebox annually using** a brush, removing ash and creosote deposits from the walls.

During cleaning, it is necessary to remove and clean the deflectors from ash, taking great care when handling vermiculite components. It is also necessary to remove the firebed plate to clear the ash underneath.

Chimney cleaning: It is recommended to clean the chimney at the end of each usage season or before re-igniting the fireplace after a period of inactivity. Additionally, it is advisable to carry out an extra inspection of the general condition of the flue system before restarting it, to ensure safe and efficient operation.

Cleaning should preferably be performed by a professional chimney sweep.

In case of faults requiring replacement of firebox parts, it is strongly recommended to use only original spare parts. The use of non-original parts will immediately void the warranty and Moretti Design will not accept liability for any damages caused to persons or animals.

8.6.3 - CLEANING OF THE GLASS

Cleaning must be performed only when the fireplace is cold, using appropriate cleaning products with paper or a cloth. Do not use corrosive or abrasive products.

The glass opening procedure for cleaning differs depending on the firebox model. The following images illustrate the different methods for opening the door.

MONODESIGN 60, MONODESIGN 70, MONODESIGN 80, MONODESIGN 90, MONODESIGN 120

The glass opens via a tilt mechanism (tilt-and-turn), operated by two lever handles (or a single handle for MONODESIGN 60 and MONODESIGN 70) located at the top of the door. Pull the handles outward to open the glass, push them inward to close it (fig. 24-a; 24-b).

WARNING: Ensure that when the door is closed, the handle does not protrude but is fully seated in its housing, to prevent the handle from touching the protective cover when lifting the door.

Fig. 24-a

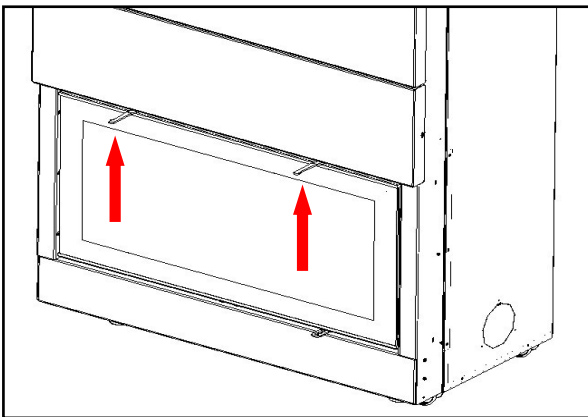
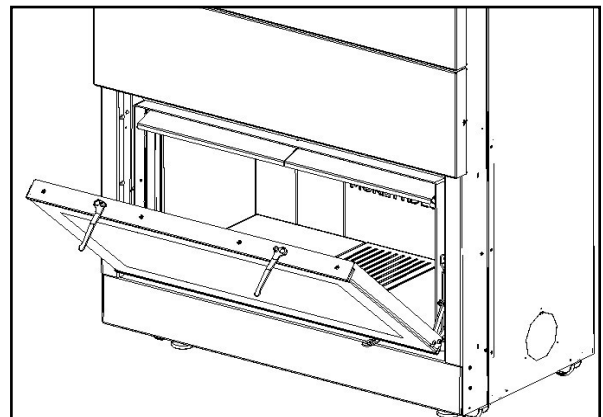


Fig. 24-b



- LATODESIGN 60 L, LATODESIGN 60 R, LATODESIGN 90 L, LATODESIGN 90 R

The opening is side-hinged, and takes place by pulling out the lever that is on the door stop on the short side using the supplied key (fig. 25-a, 25-b, 25-c). Pulling the lever unhooks the door and you can open it for cleaning. Once the door is closed, push the lever inwards until it correctly returns to its seat.

Fig. 25-a

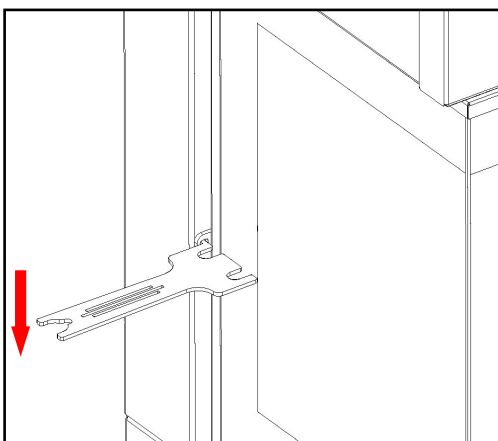


Fig. 25-b

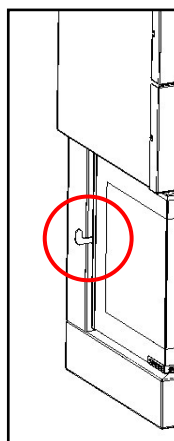
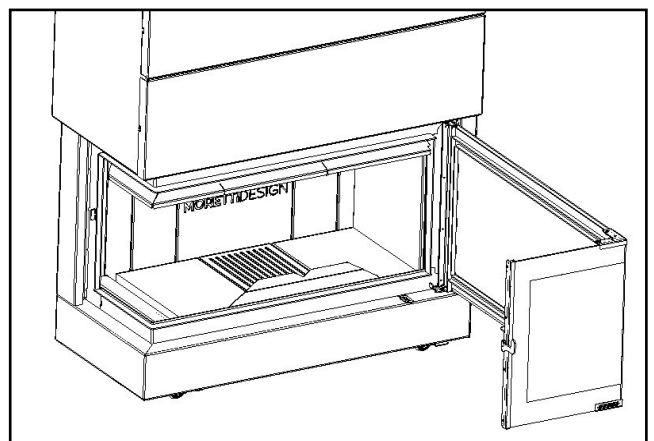


Fig. 25-c



- TRIODESIGN 90

The opening is side-hinged, and is done by pulling out the levers that are on the corners of the door between the short side and the long side using the supplied key. Pulling the levers unhooks the door on the short side and it can be opened for cleaning (from fig. 26-a to fig. 26-g) . Once the door is closed, push the lever inwards until it correctly returns to its seat

Fig. 26-a

Fig. 26-b

Fig. 26-c

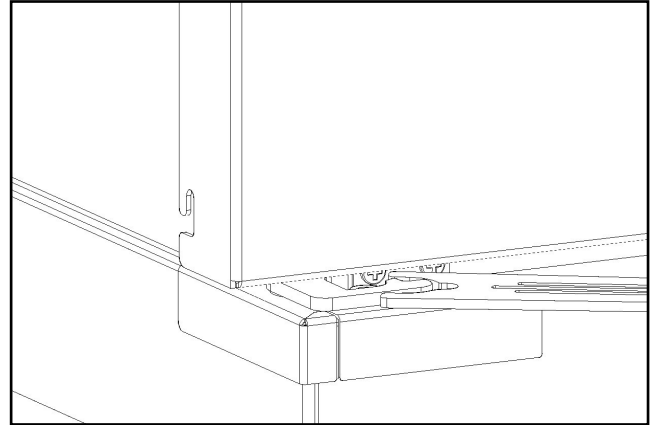
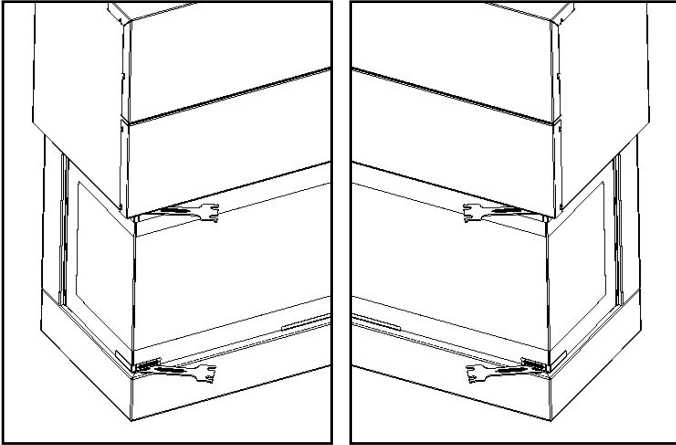


Fig. 26-d

Fig. 26-f

Fig. 26-g

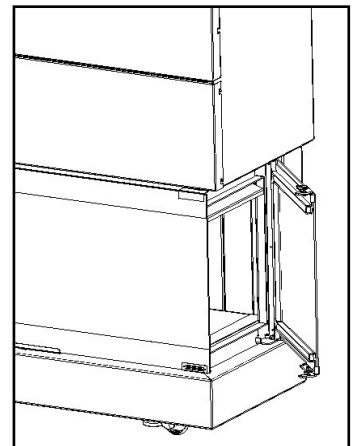
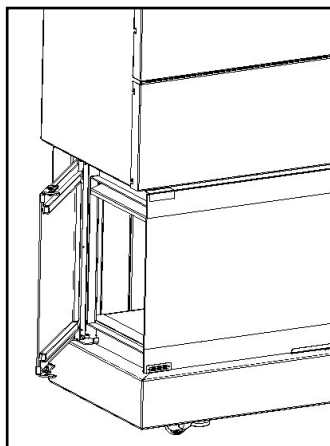
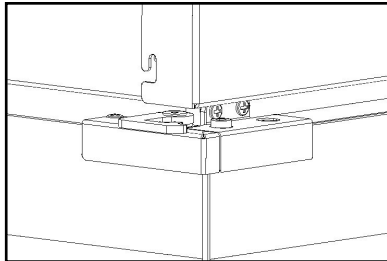
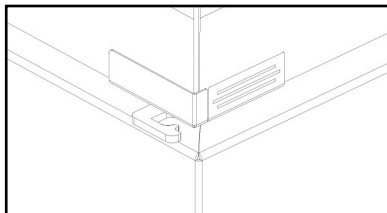


Fig. 26-e

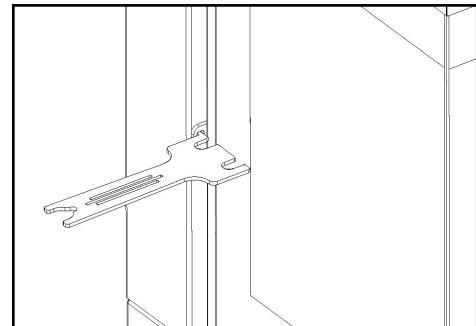
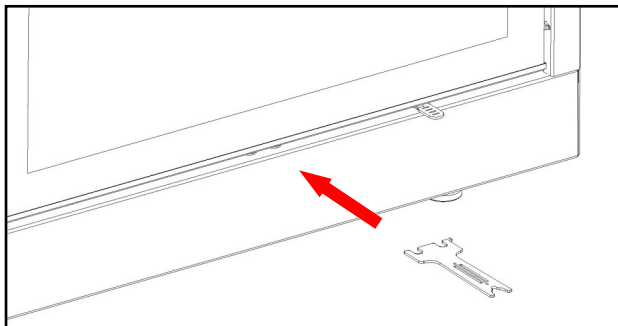


8.6.4 - SUPPLIED KEYS - (COLD HAND)

Figures 27-a and 27-b show the methods of use of the keys supplied, both for opening the LATODESIGN door and for opening the sliding door, thus avoiding contact with hot parts of the firebox.

Fig. 27-a

Fig. 27-b



MORETTI DESIGN

SEDE ED EXPÒ:
Contrada Tesino 50
63065 Ripatransone (AP)
ITALY
www.moreffidesign.it

La Moretti Design non si assume alcuna responsabilità per eventuali errori di questo opuscolo e si ritiene libera di variare senza preavviso le caratteristiche dei propri prodotti